

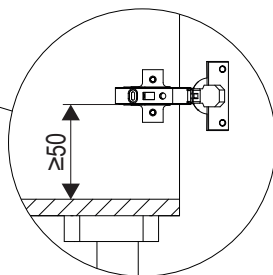
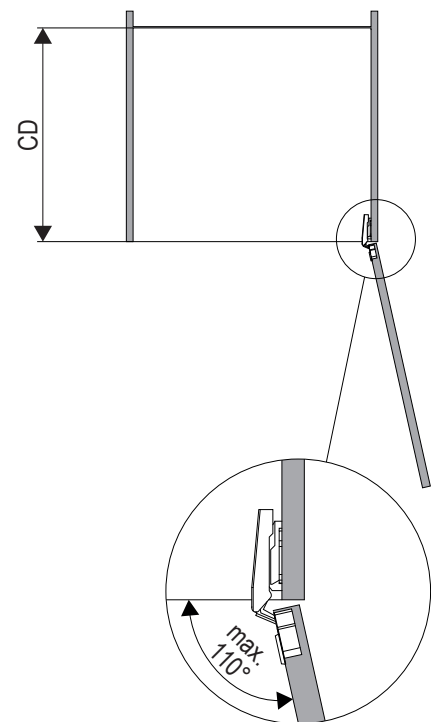
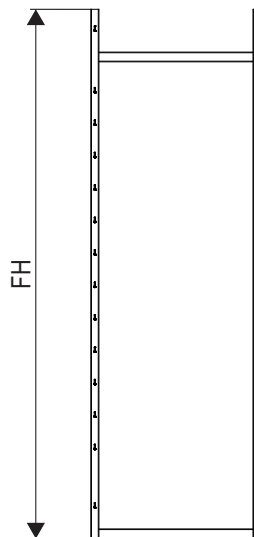
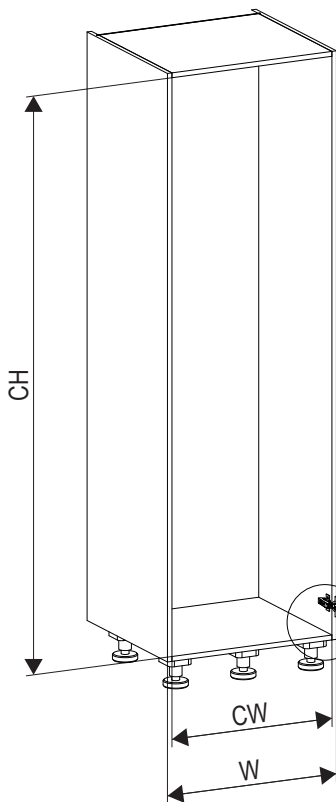
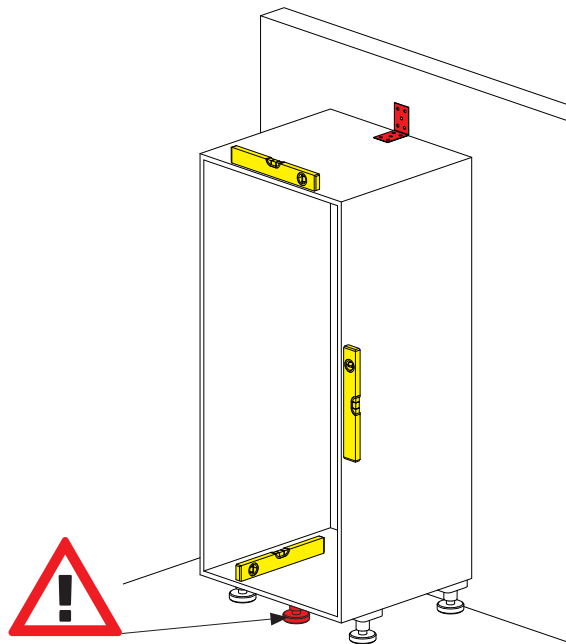
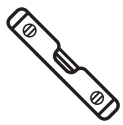




# DISPENSA TANDEM III



1

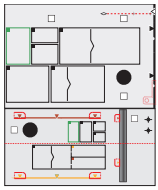


W	FH	CH	CW	CD
450	1032	≥ 1100	412 - 418	≥ 500
450	1632	≥ 1700	412 - 418	≥ 500
500	1032	≥ 1100	462 - 468	≥ 500
500	1632	≥ 1700	462 - 468	≥ 500
600	1032	≥ 1100	562 - 568	≥ 500
600	1632	≥ 1700	562 - 568	≥ 500

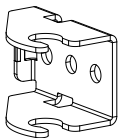
# DISPENSA TANDEM III



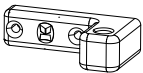
2



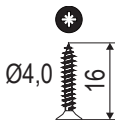
1x



1x



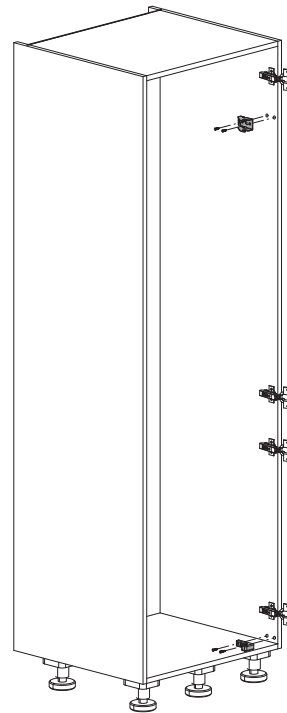
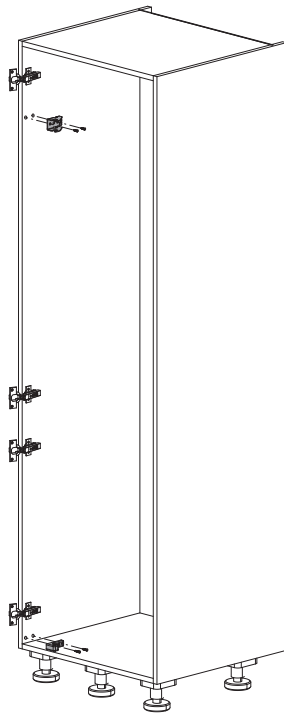
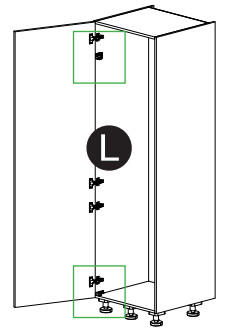
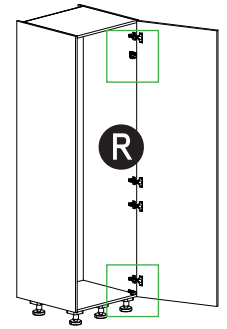
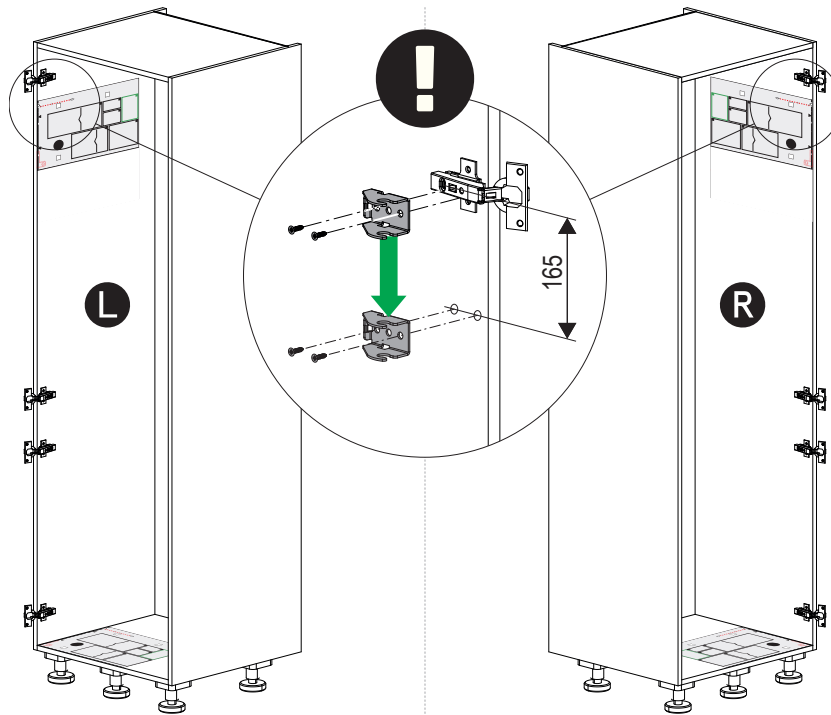
1x



4x



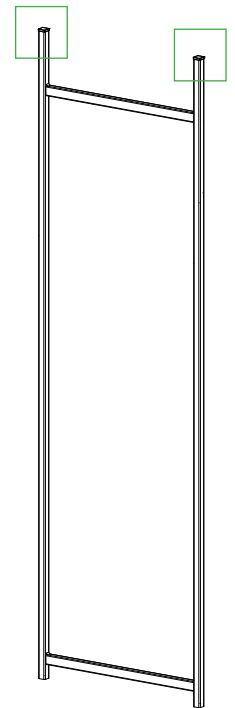
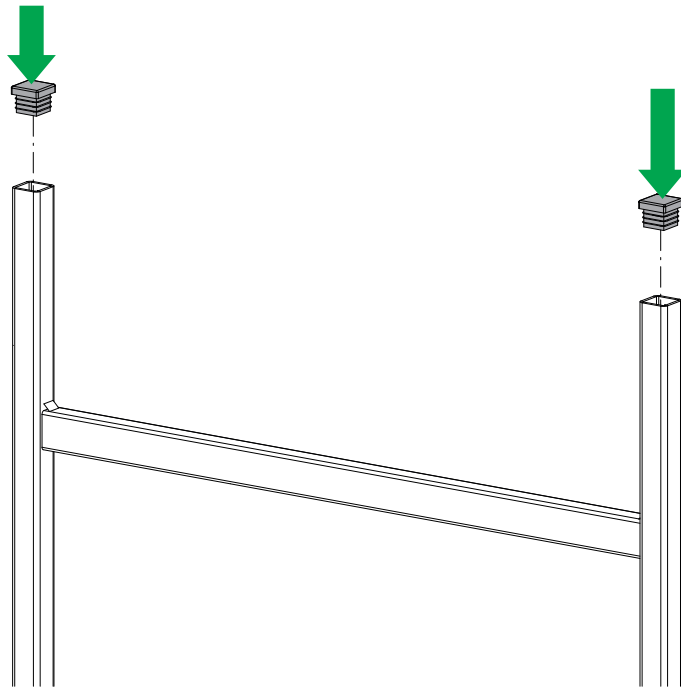
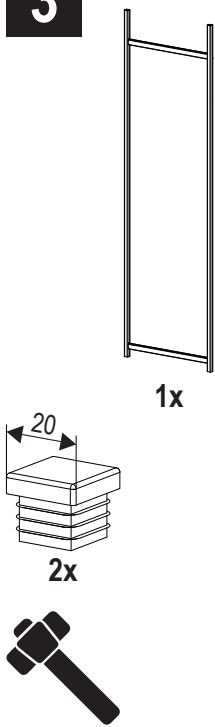
PZ2



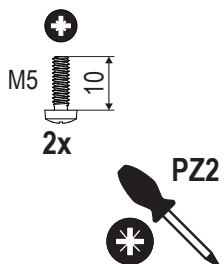
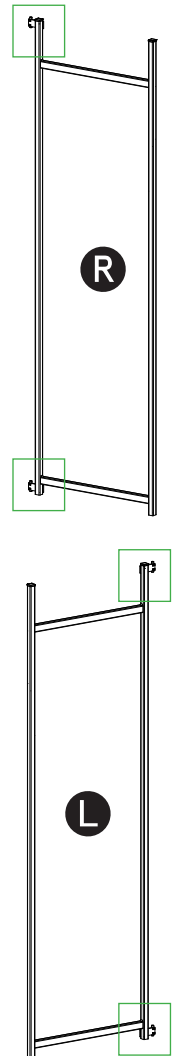
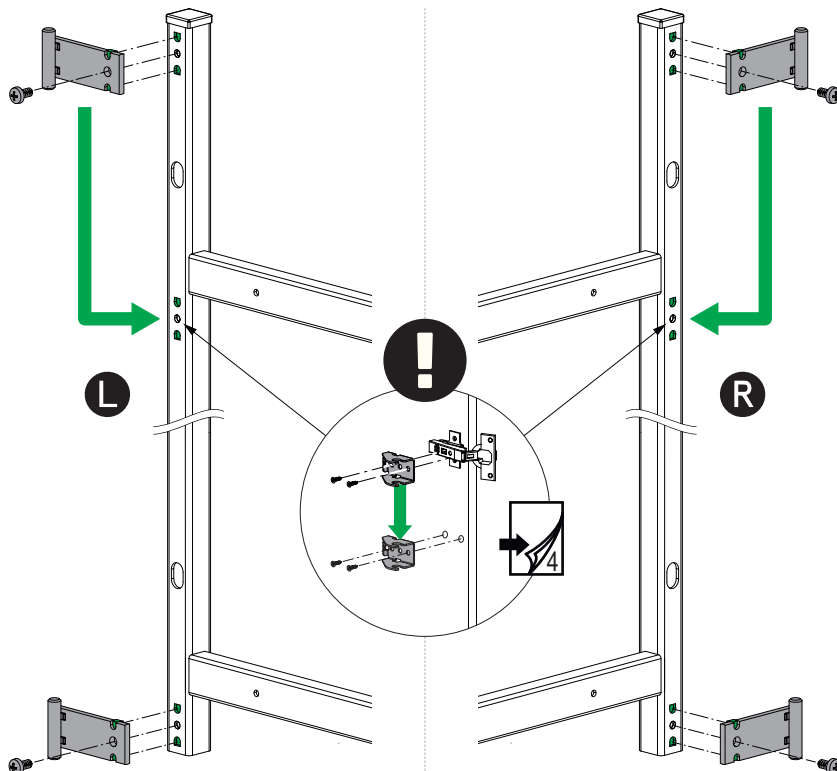
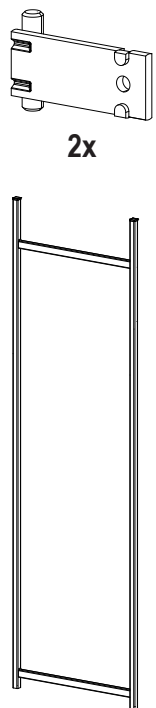
# DISPENSA TANDEM III



3



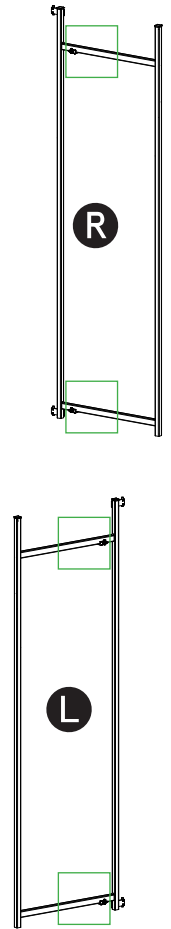
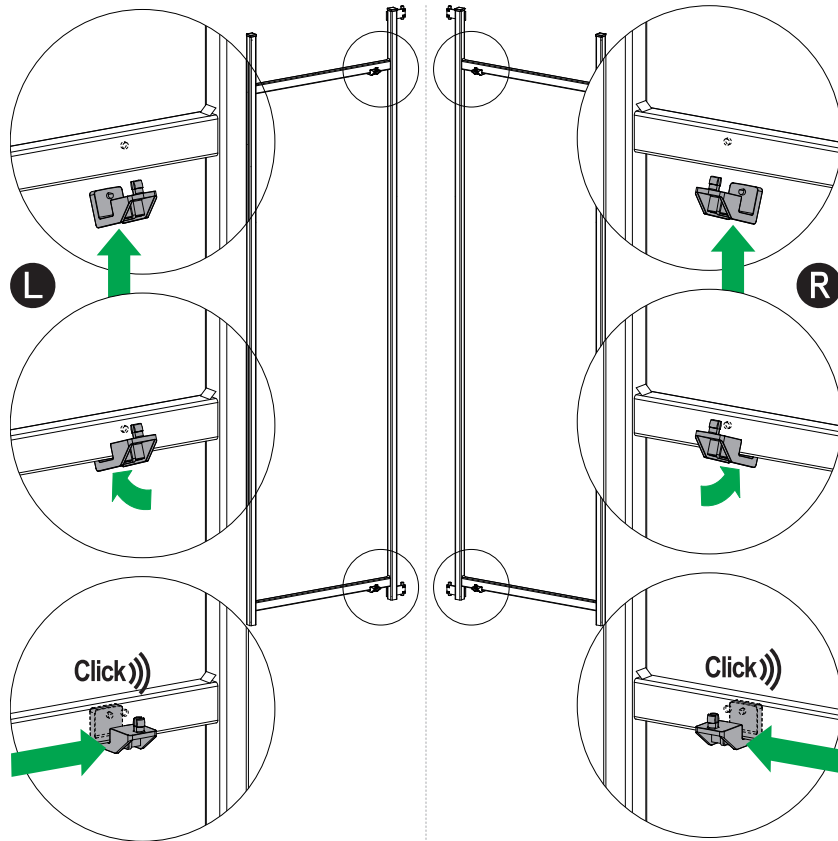
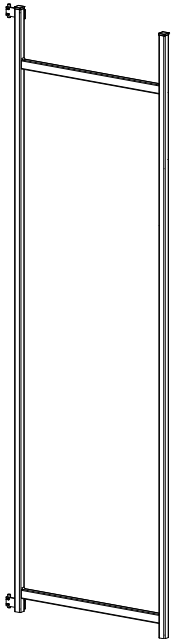
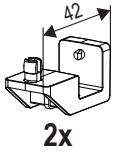
4



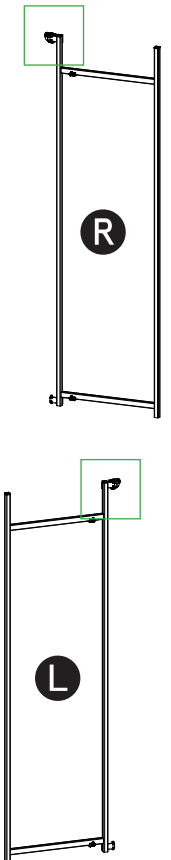
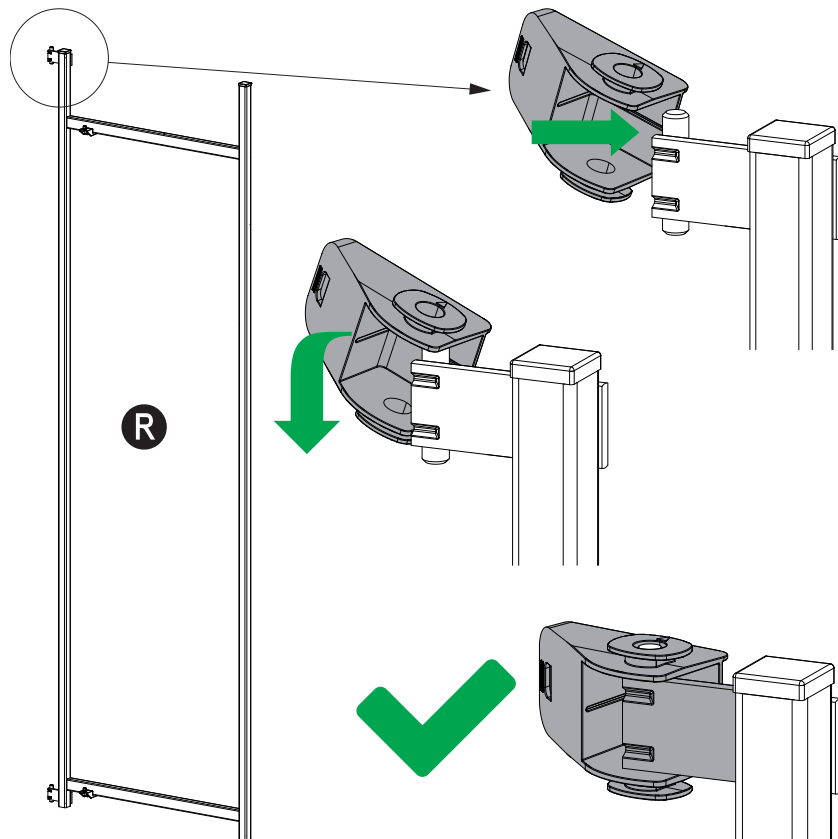
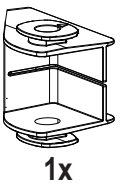
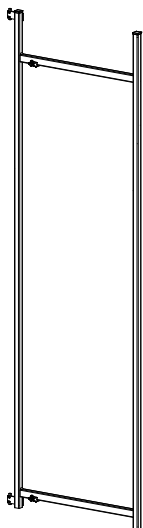
# DISPENSA TANDEM III



5



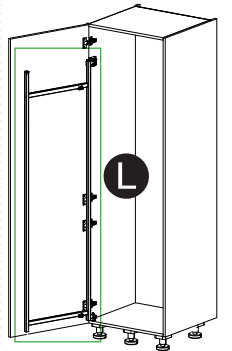
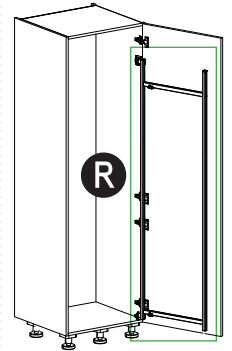
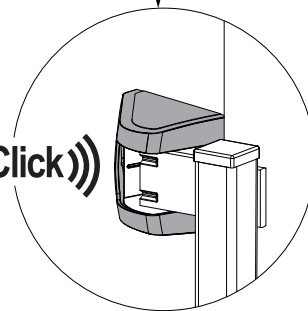
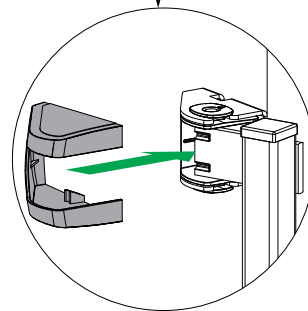
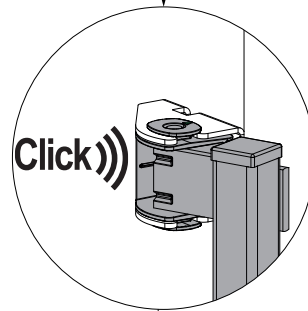
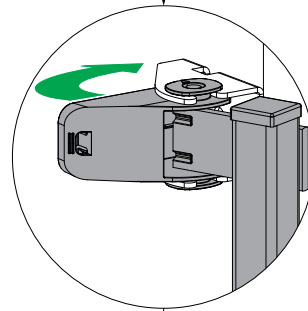
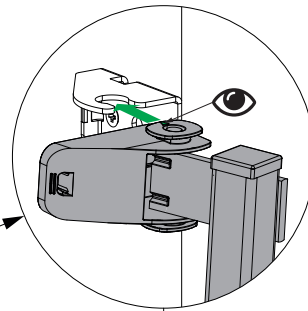
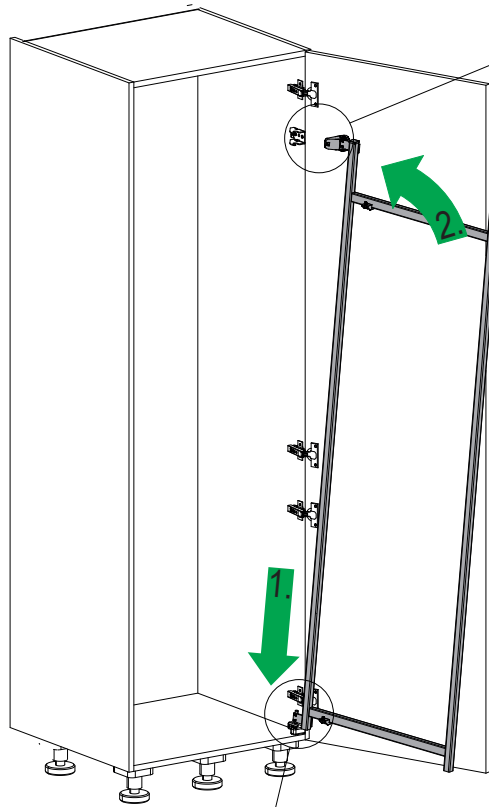
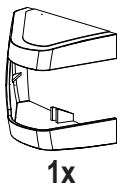
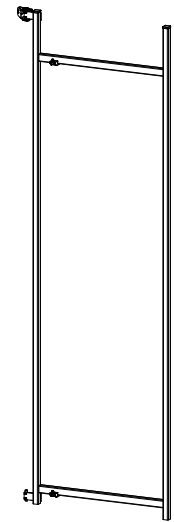
6



# DISPENSA TANDEM III



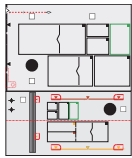
7



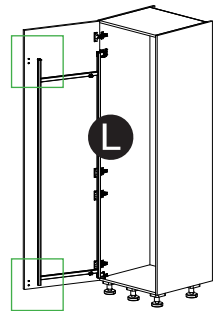
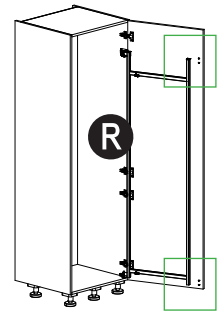
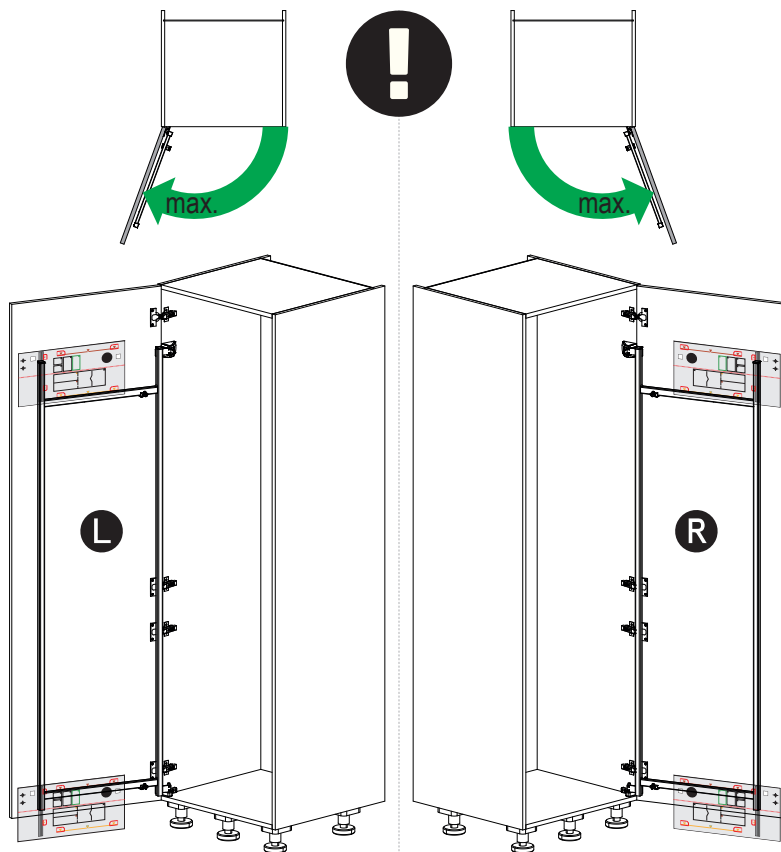
# DISPENSA TANDEM III



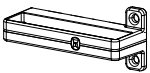
8



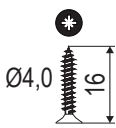
1x



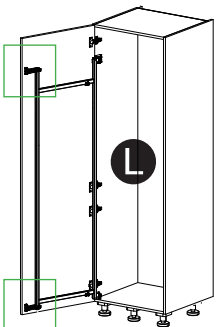
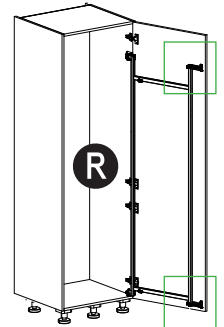
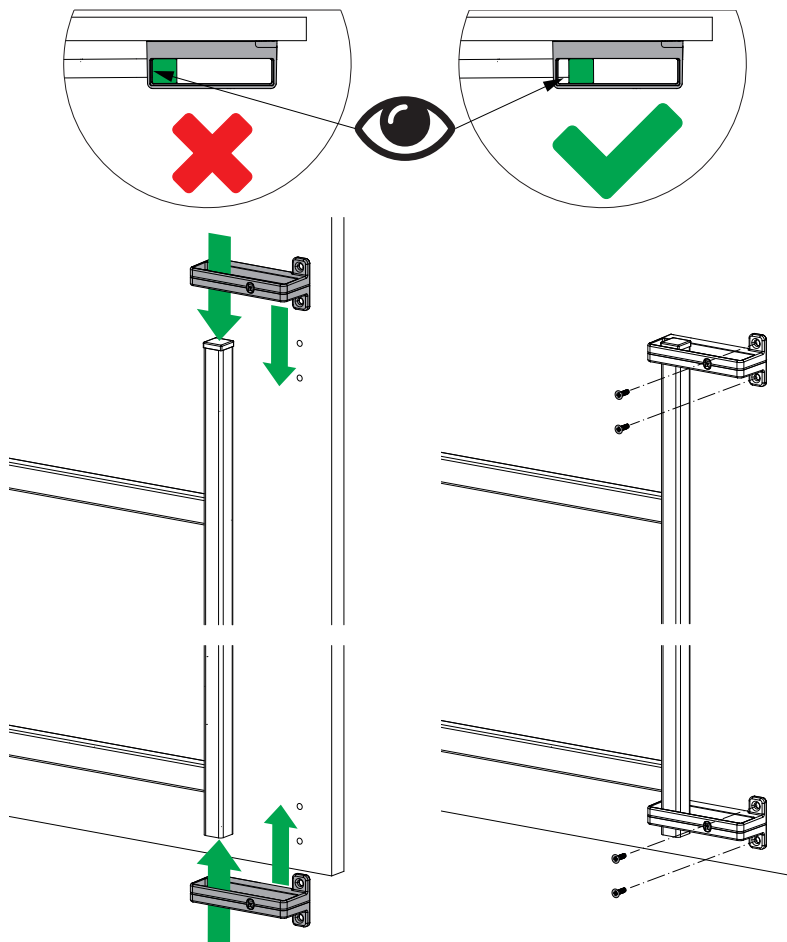
9



2x



4x

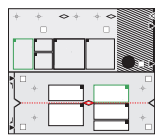




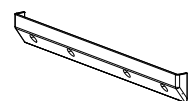
# DISPENSA TANDEM III



10



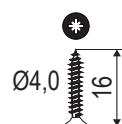
1x



1x



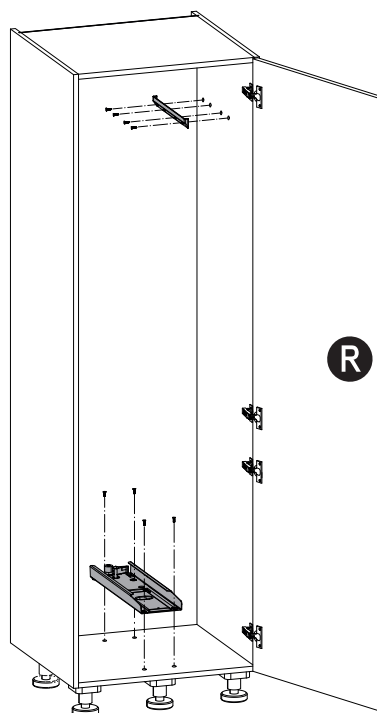
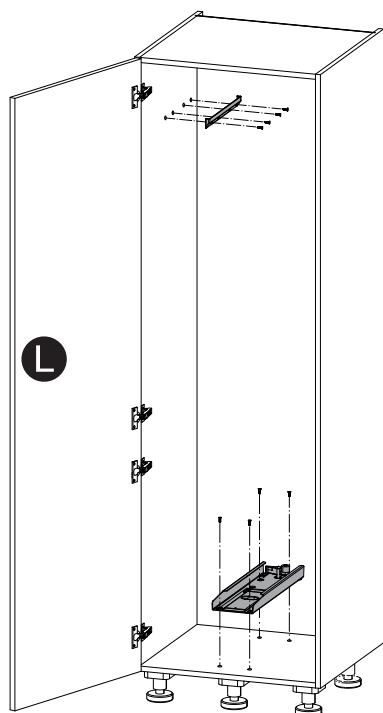
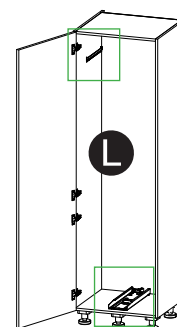
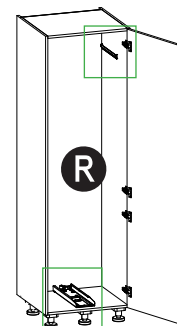
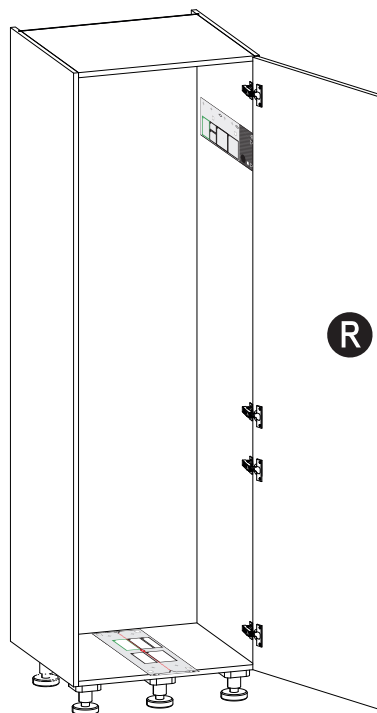
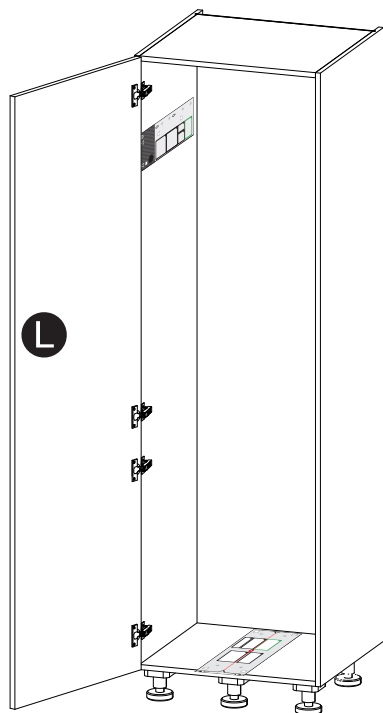
1x



8x



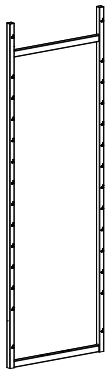
PZ2



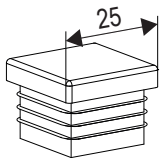
# DISPENSA TANDEM III



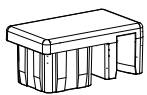
11



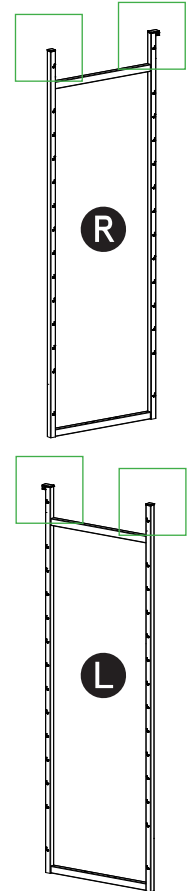
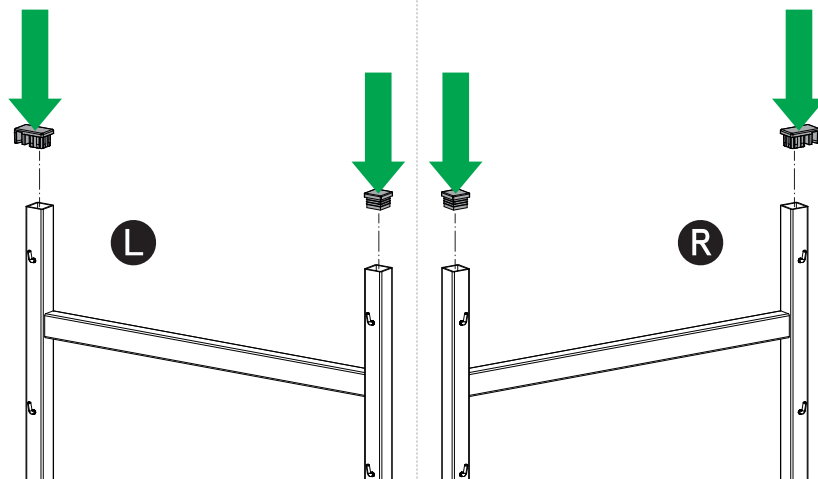
1x



1x



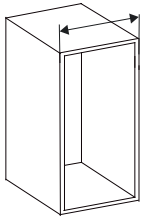
1x



# DISPENSA TANDEM III



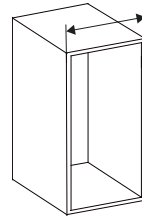
**12**



450 / 500



**12a**

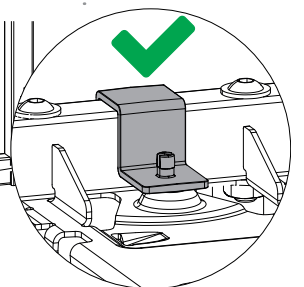
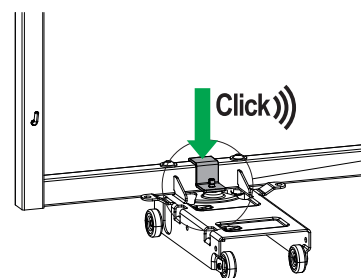
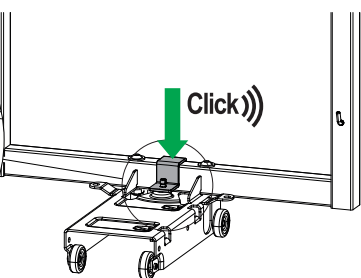
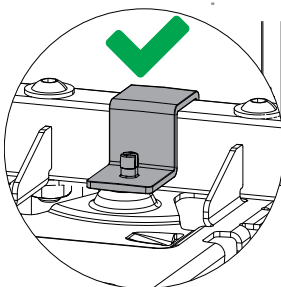
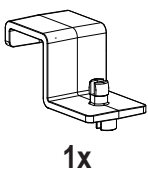
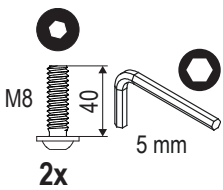
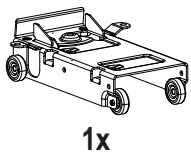
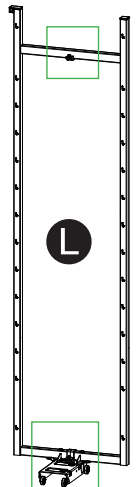
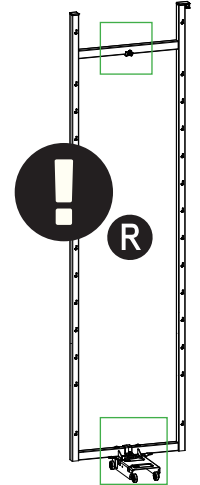
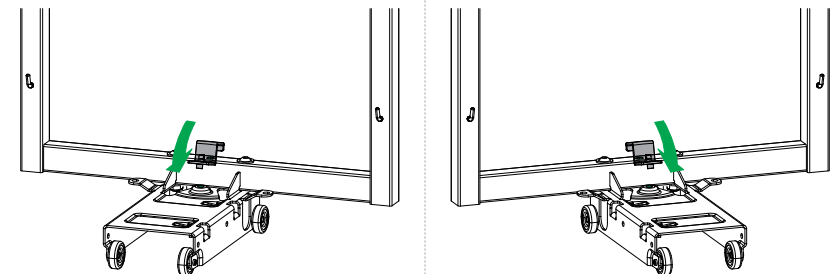
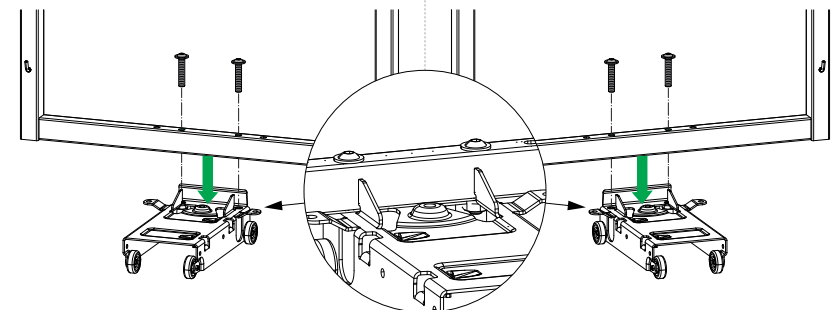
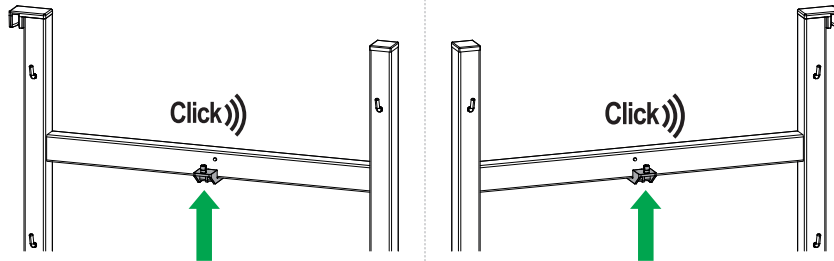
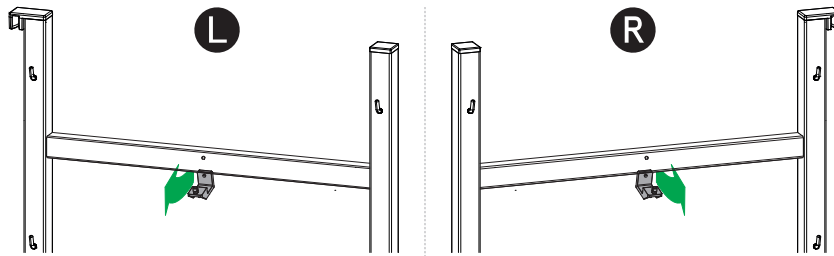
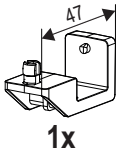


600



**12b**

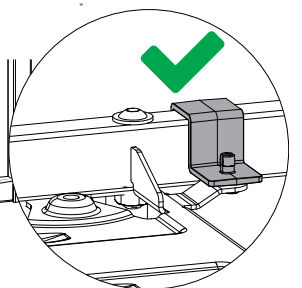
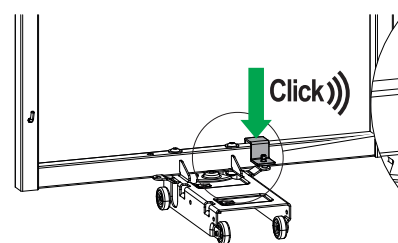
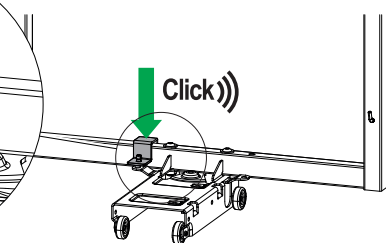
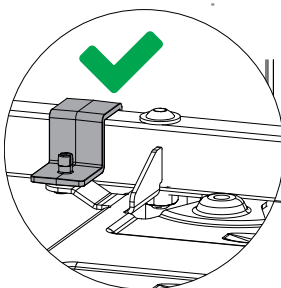
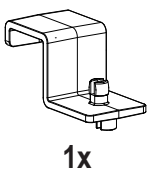
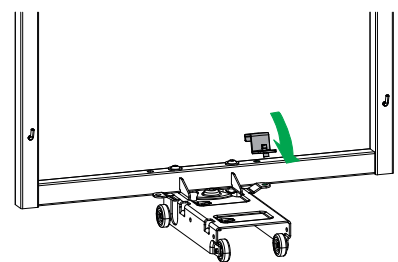
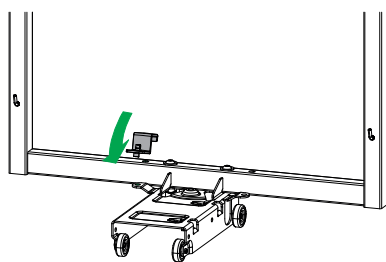
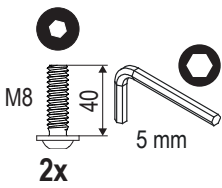
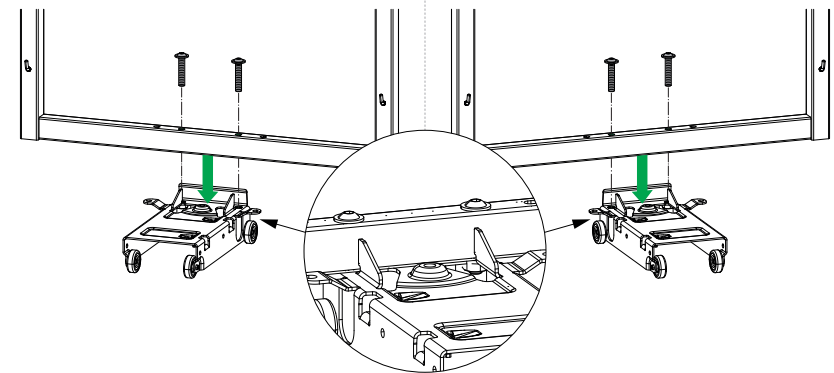
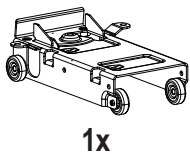
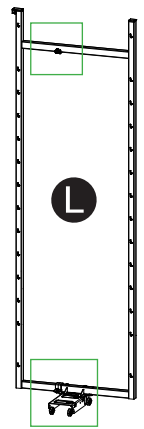
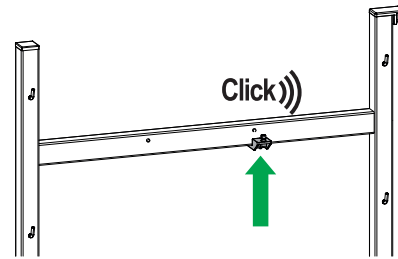
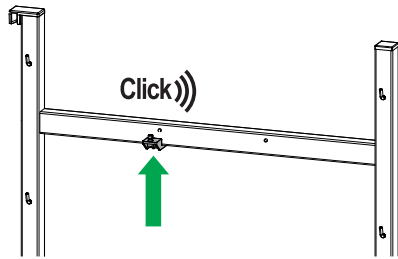
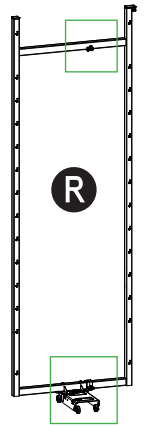
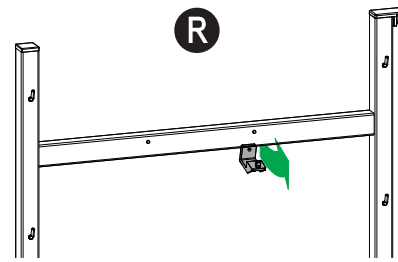
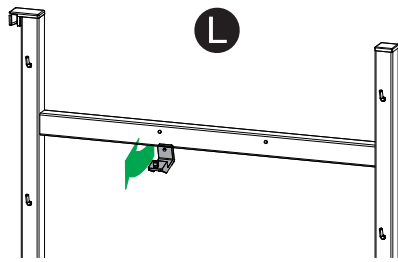
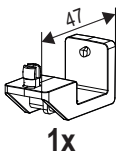
**12a** 450 / 500



# DISPENSA TANDEM III



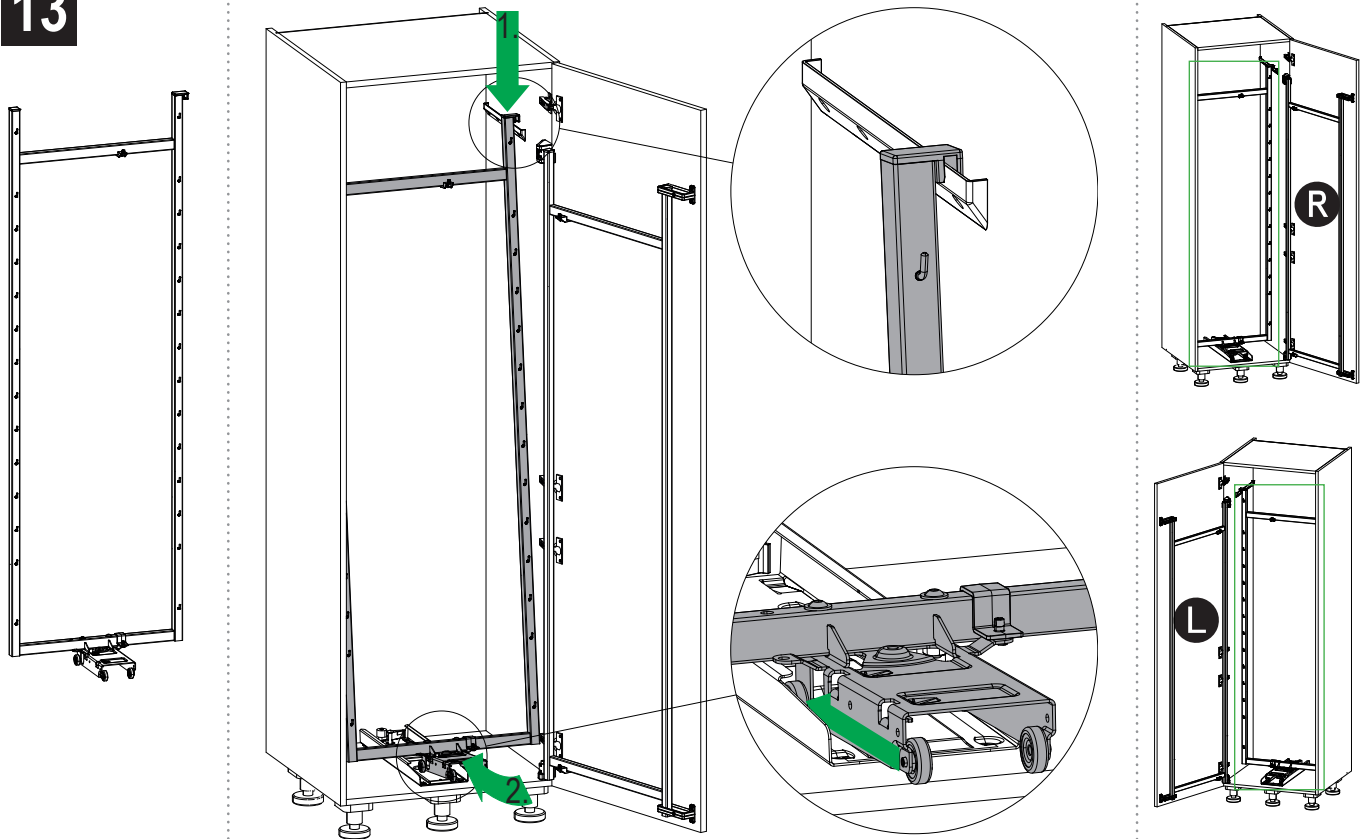
**12b** 600



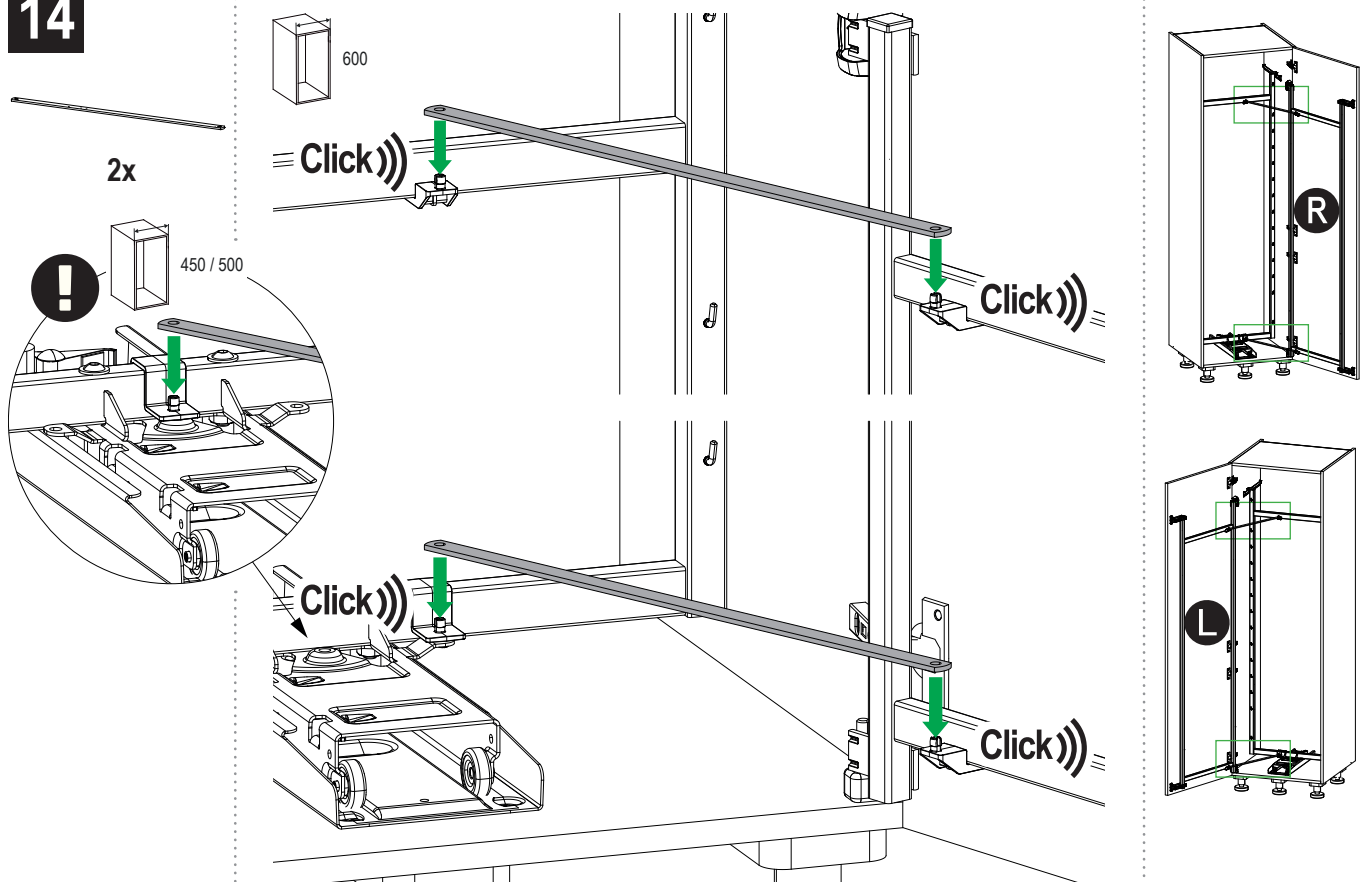
# DISPENSA TANDEM III



13



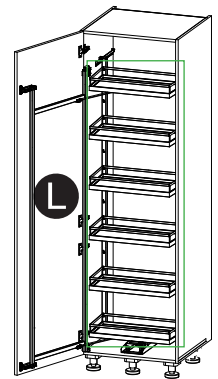
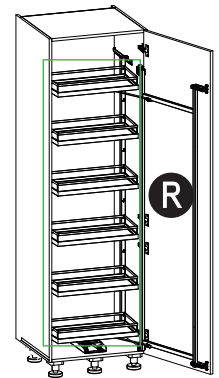
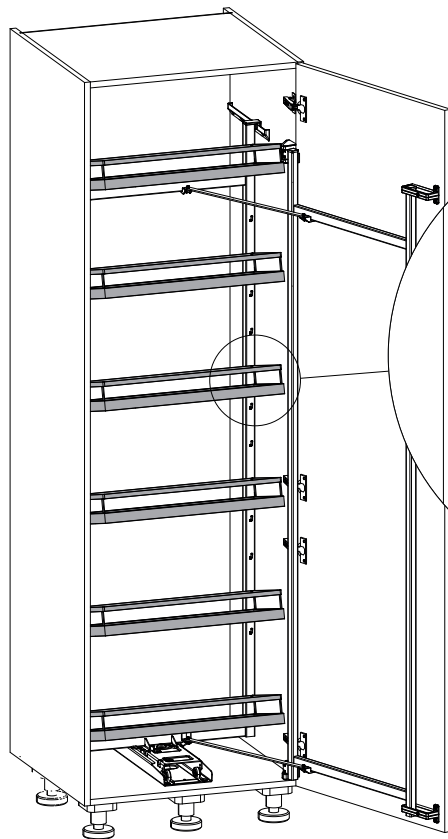
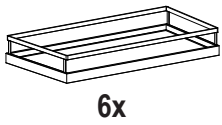
14



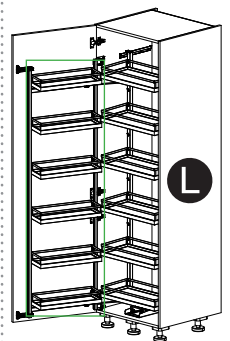
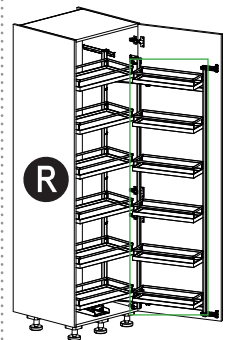
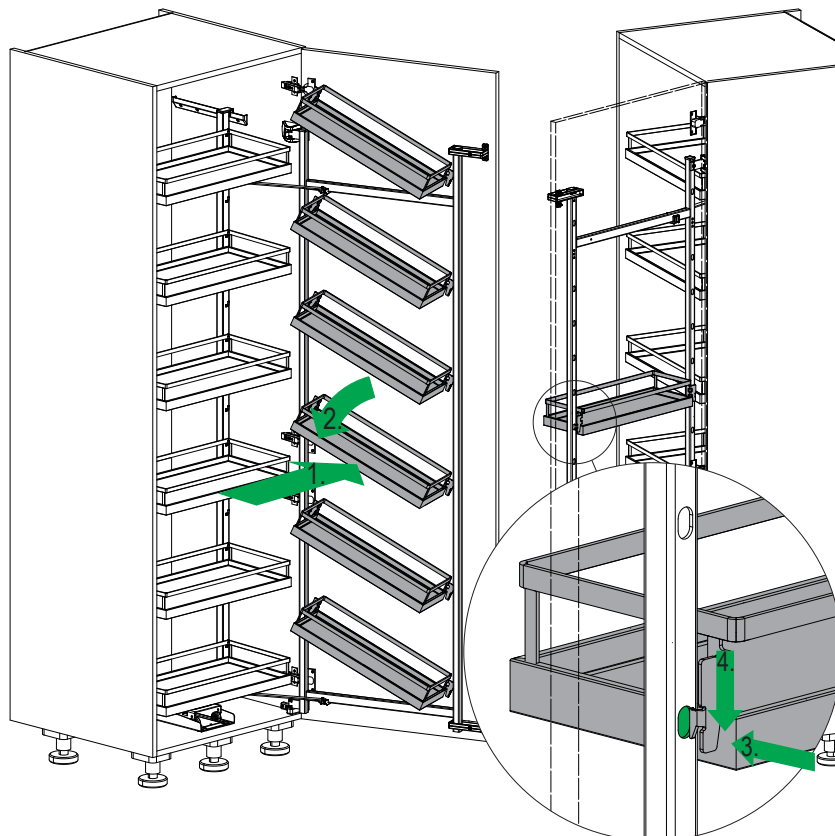
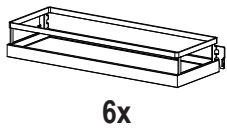
# DISPENSA TANDEM III



15



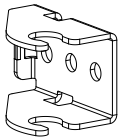
16



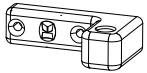
# DISPENSA TANDEM III



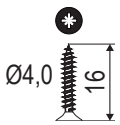
**i**



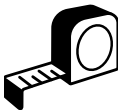
1x



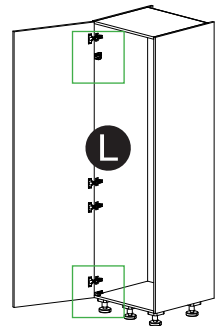
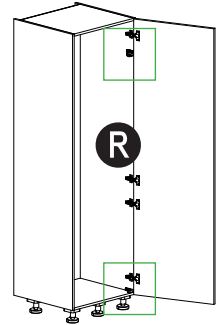
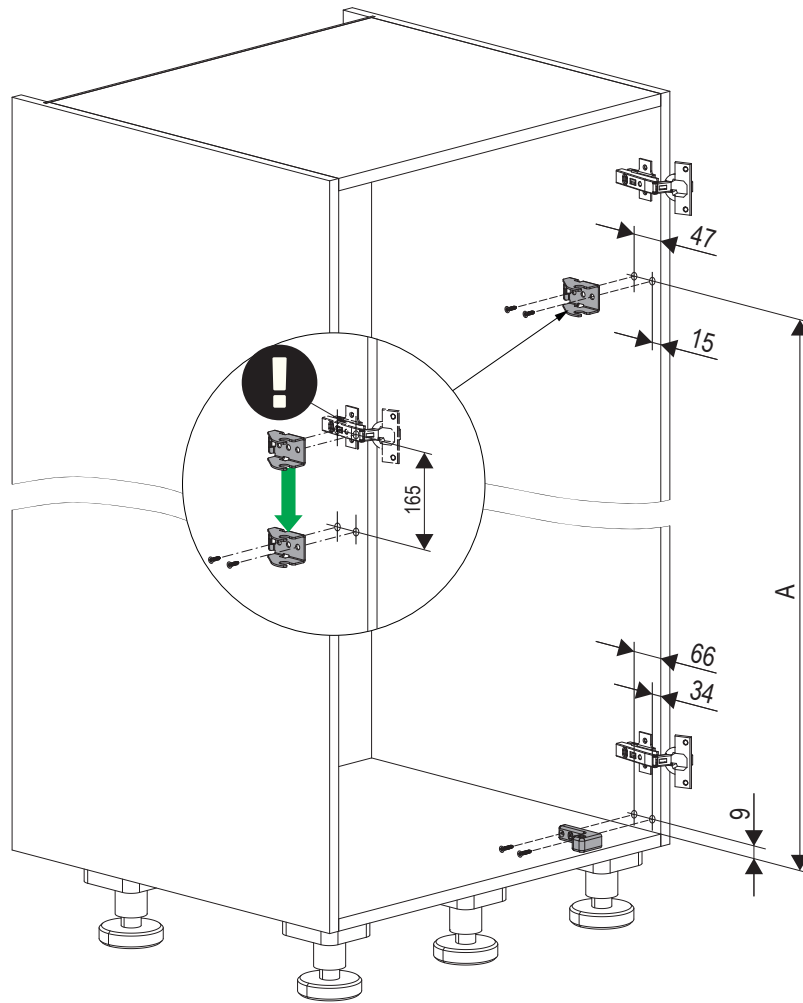
1x



4x



PZ2

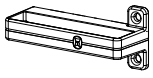


	CH	A
	≥ 1100	1069
	≥ 1700	1669

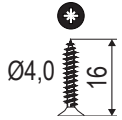
# DISPENSA TANDEM III



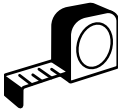
**i**



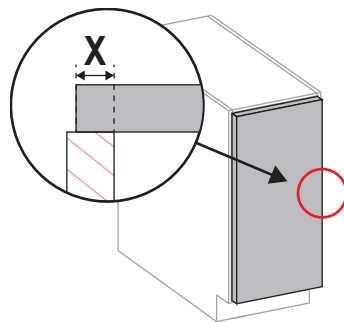
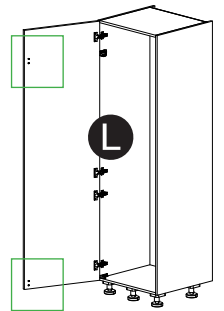
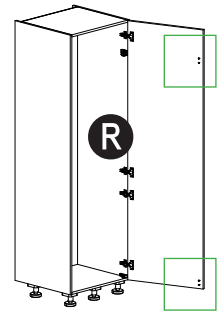
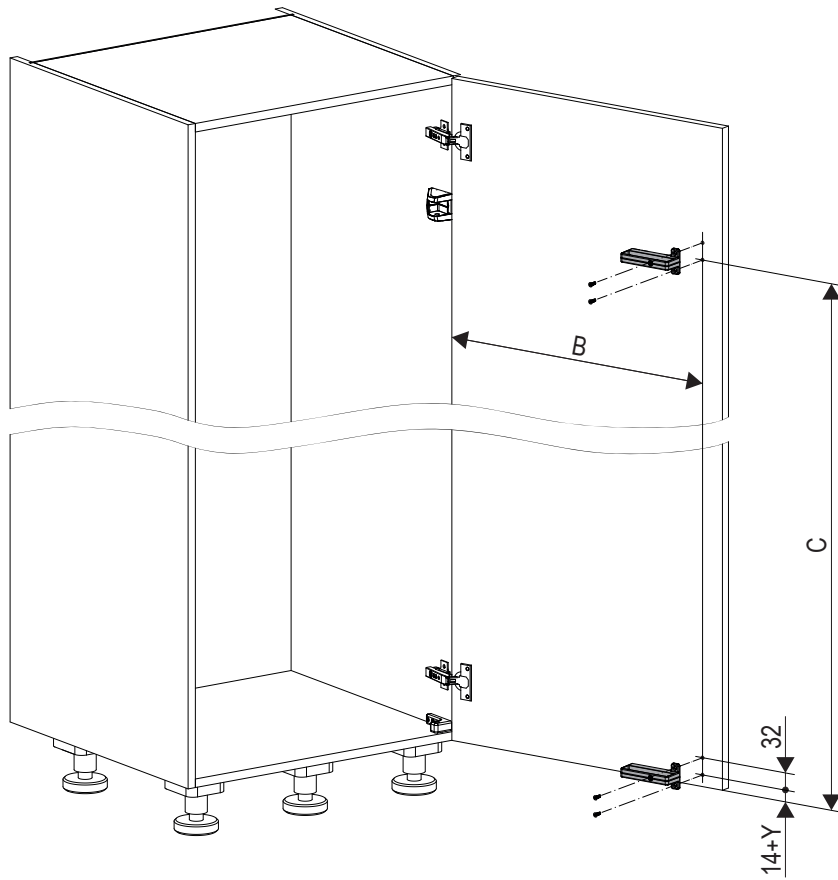
2x



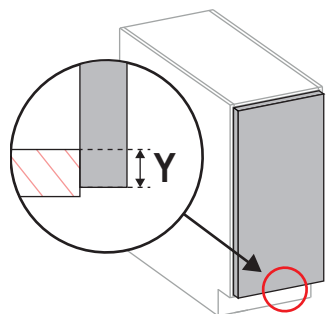
4x



PZ2



	W	B
	450	W-50+X
	500	W-50+X
	600	W-50+X



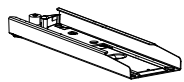
	CH	C
	≥ 1100	1065+Y
	≥ 1700	1665+Y



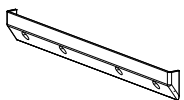
# DISPENSA TANDEM III



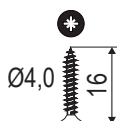
**i**



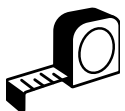
1x



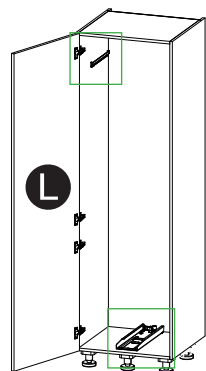
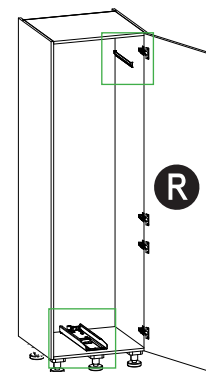
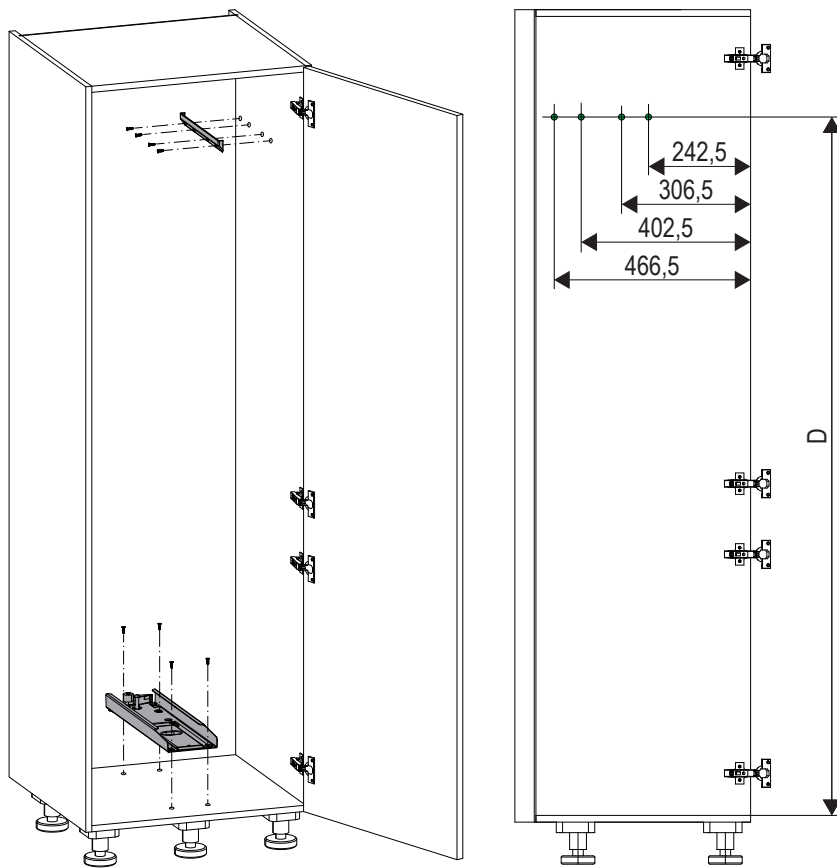
1x



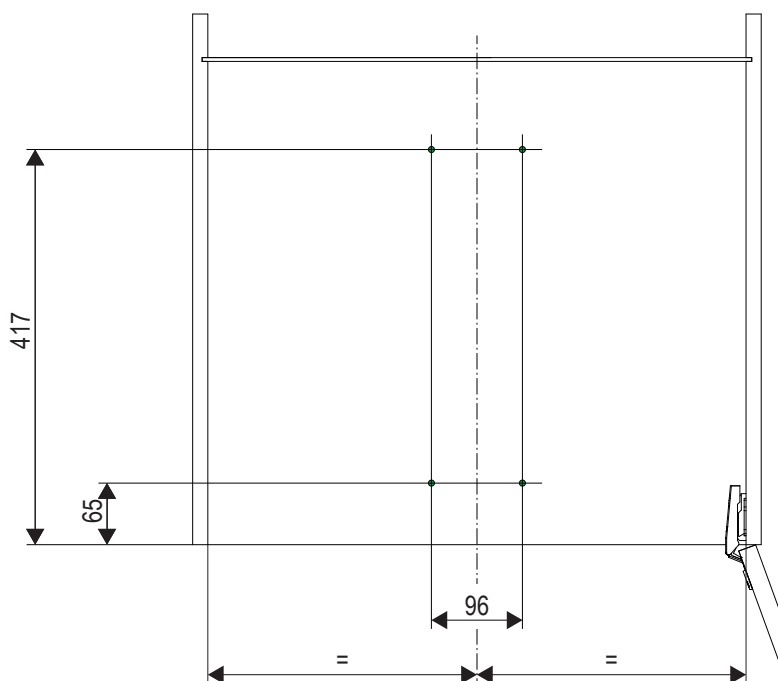
8x



PZ2



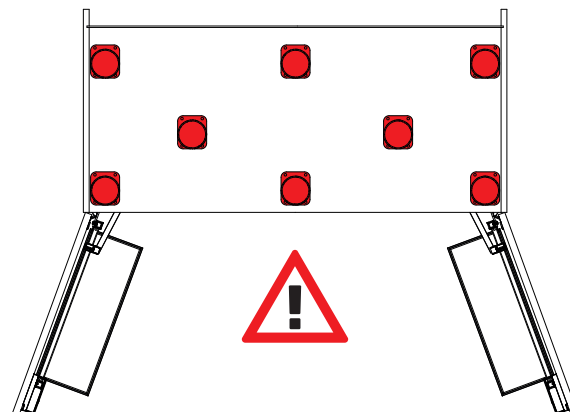
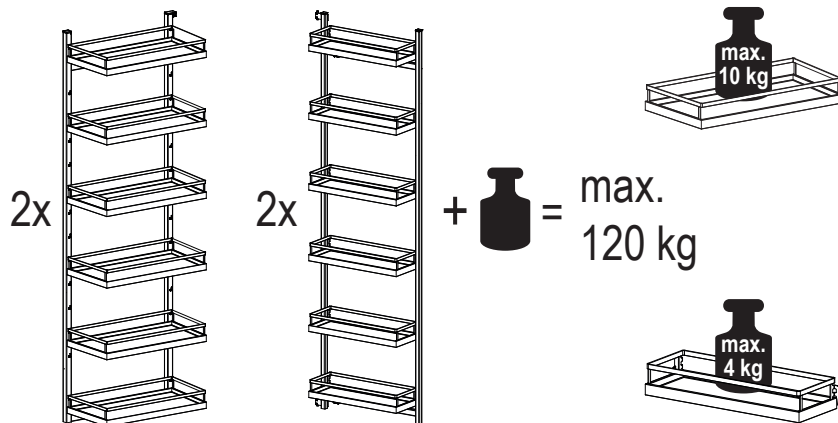
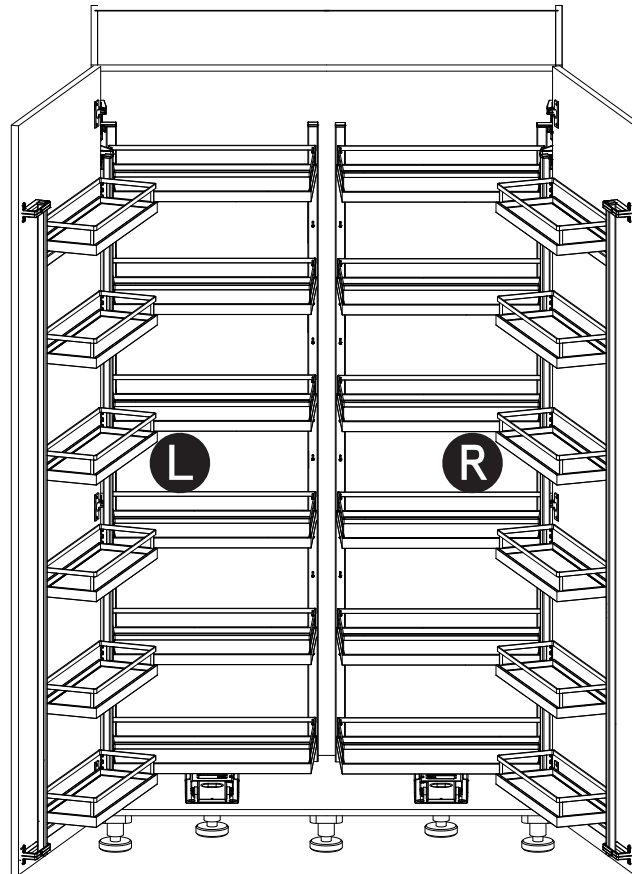
	CH	D
CH	≥ 1100	1059
	≥ 1700	1659





17

## Tandem Depot



# DISPENSA TANDEM III



18

