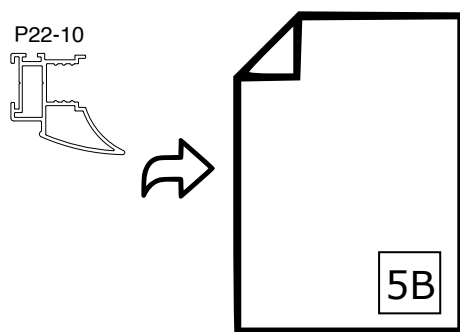
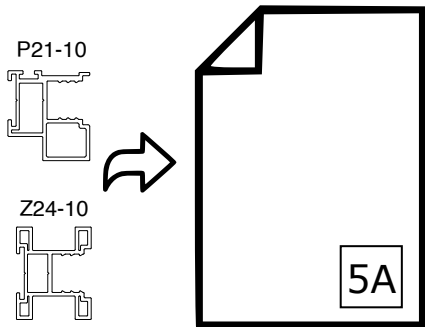
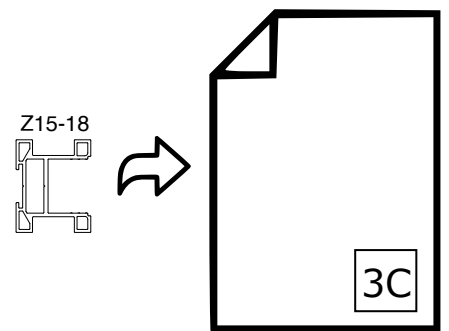
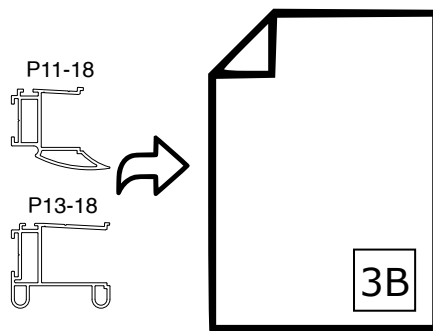
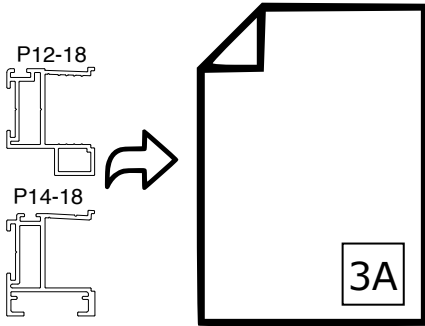
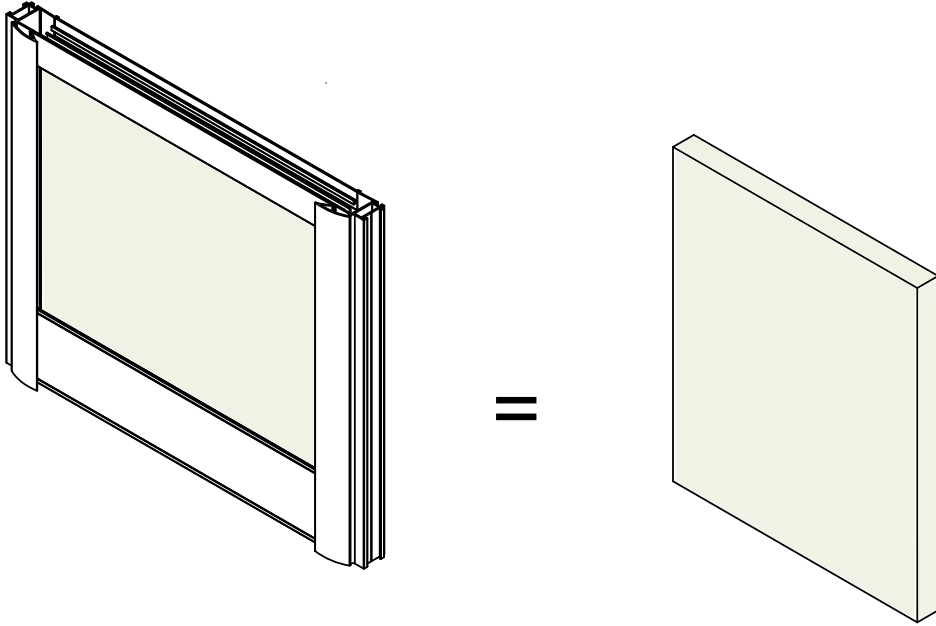
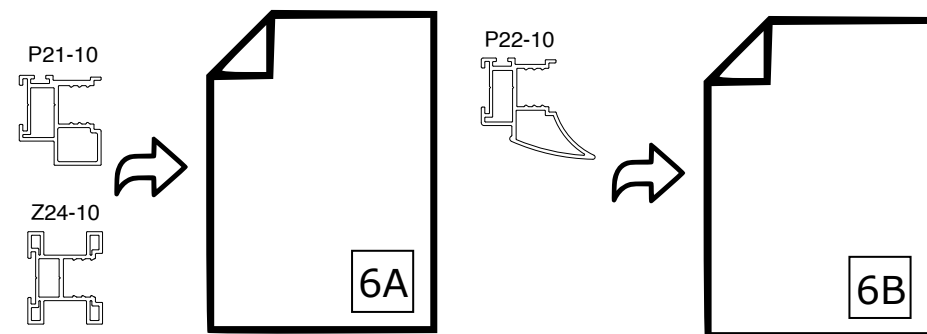
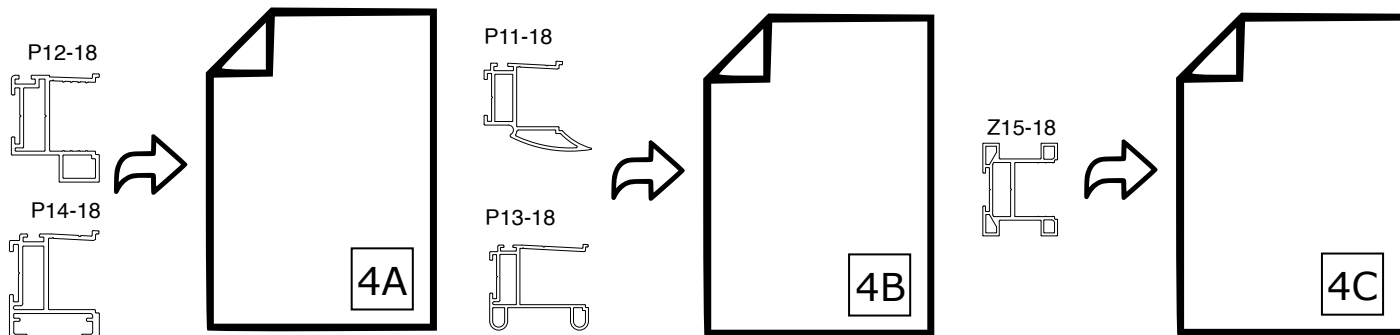
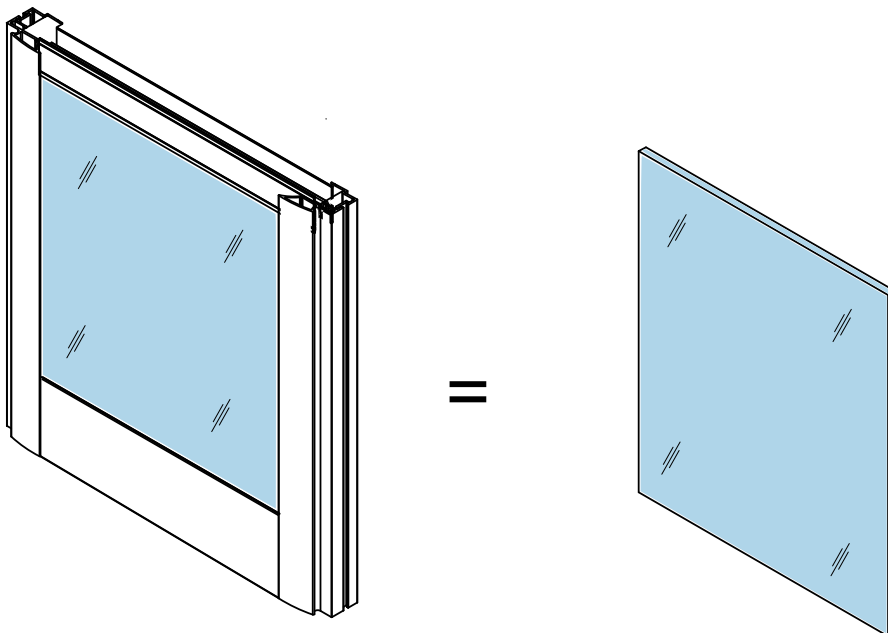


# RiEx

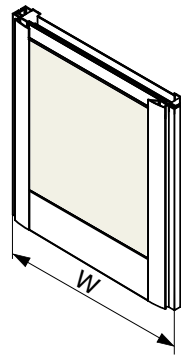
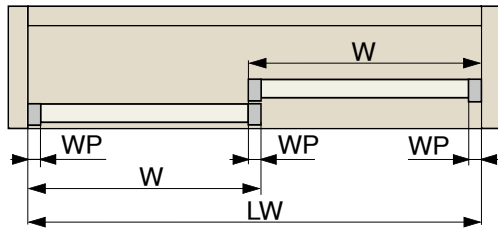


# R|Ex

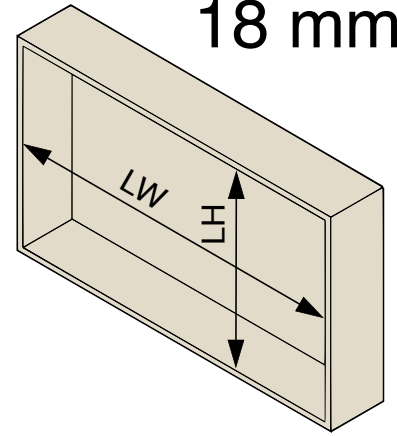


# R<sub>1</sub>EX

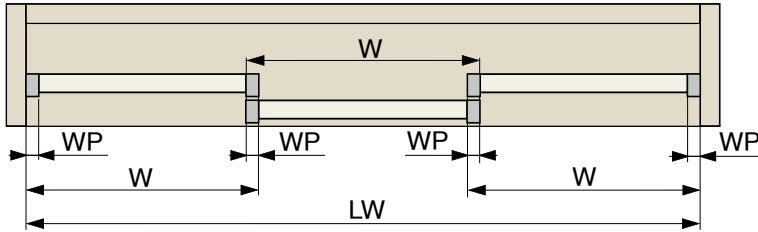
$$W = (LW + WP) / 2$$



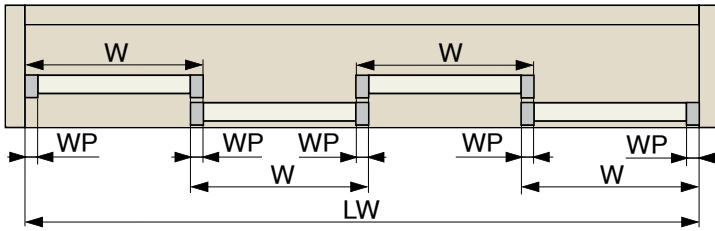
18 mm



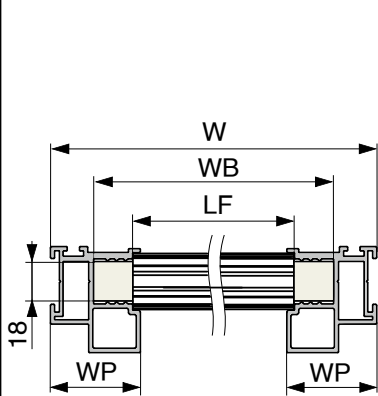
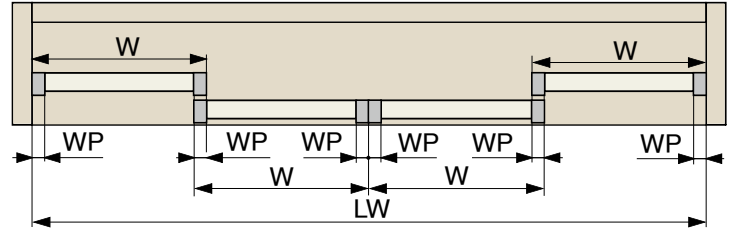
$$W = (LW + 2 \times WP) / 3$$



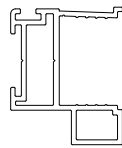
$$W = (LW + 3 \times WP) / 4$$



$$W = (LW + 2 \times WP) / 4$$

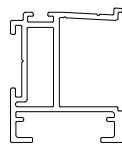


P12-18

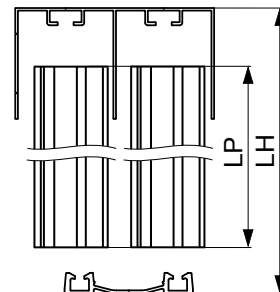
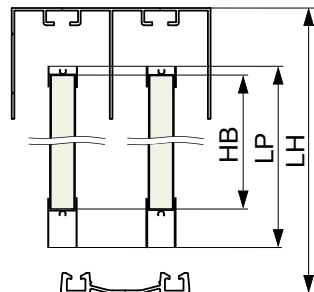
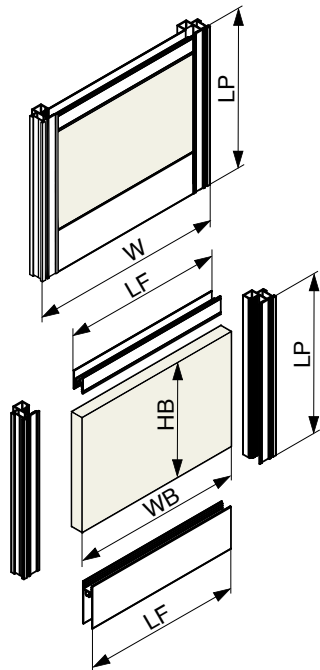


$$\begin{aligned} WP &= 23 \\ WB &= W - 21 \\ LF &= W - 44 \end{aligned}$$

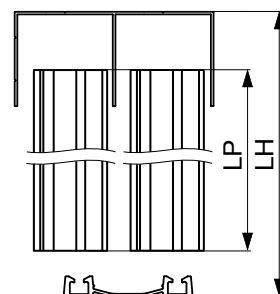
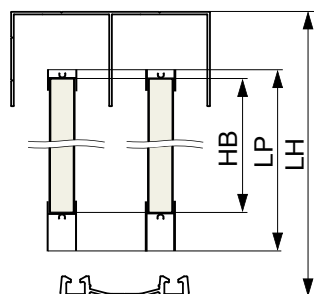
P14-18



$$\begin{aligned} WP &= 23 \\ WB &= W - 21 \\ LF &= W - 45 \end{aligned}$$



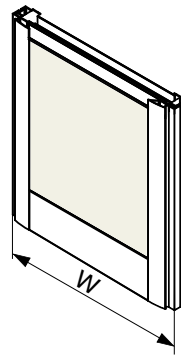
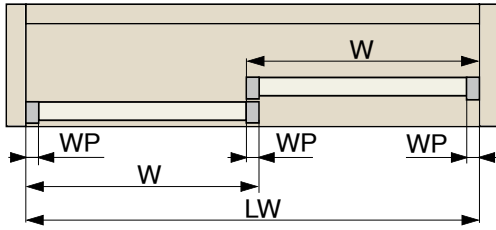
$$\begin{aligned} LP &= LH - 49 \\ HB &= LH - 110 \end{aligned}$$



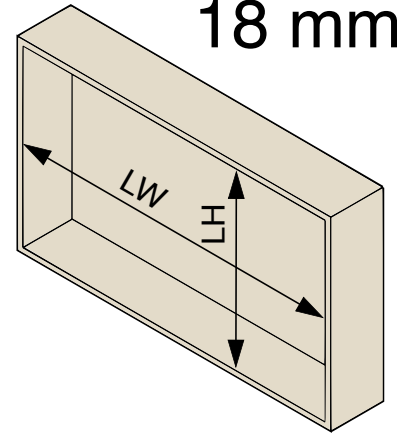
$$\begin{aligned} LP &= LH - 44 \\ HB &= LH - 105 \end{aligned}$$

# R<sub>1</sub>EX

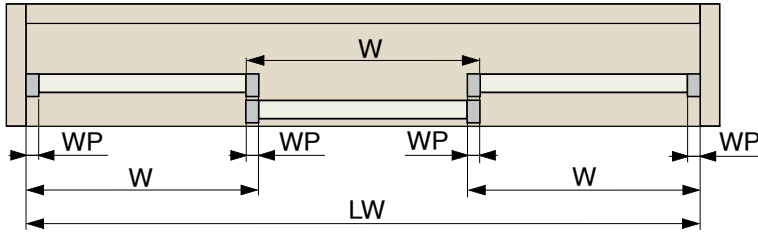
$$W = (LW + WP)/2$$



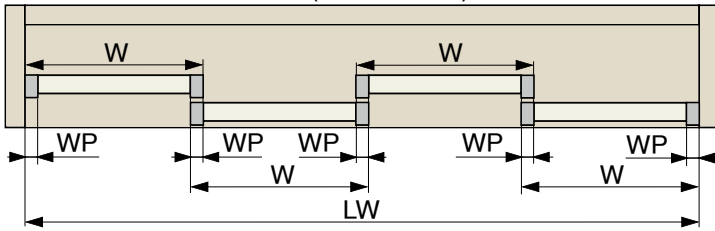
18 mm



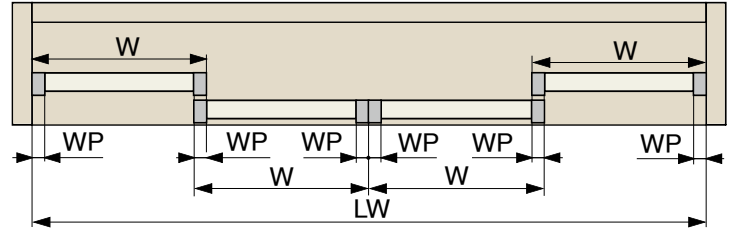
$$W = (LW + 2 \times WP)/3$$



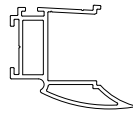
$$W = (LW + 3 \times WP)/4$$



$$W = (LW + 2 \times WP)/4$$



P11-18

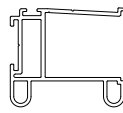


$$WP = 32$$

$$WB = W - 21$$

$$LF = W - 46$$

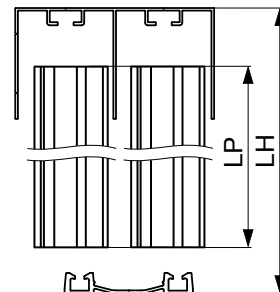
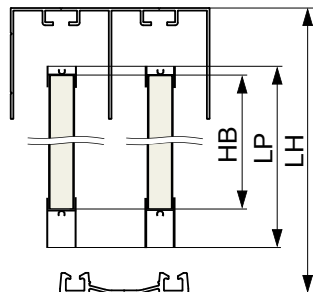
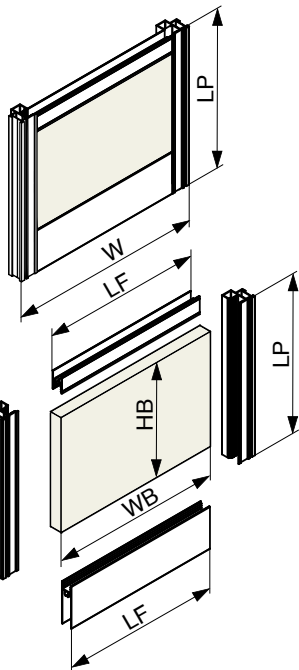
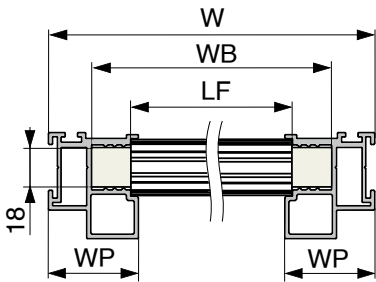
P13-18



$$WP = 32$$

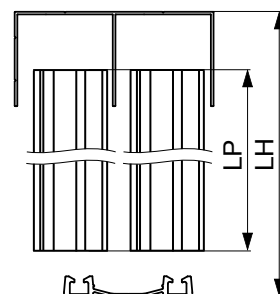
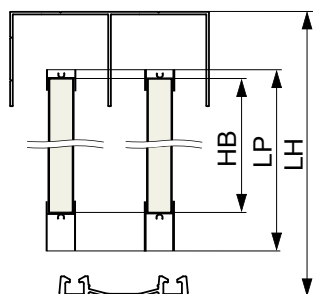
$$WB = W - 21$$

$$LF = W - 64$$



$$LP = LH - 49$$

$$HB = LH - 110$$

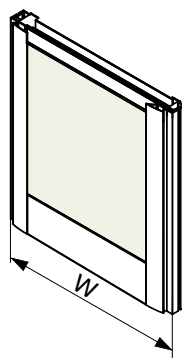
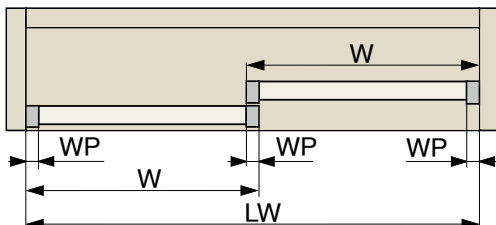


$$LP = LH - 44$$

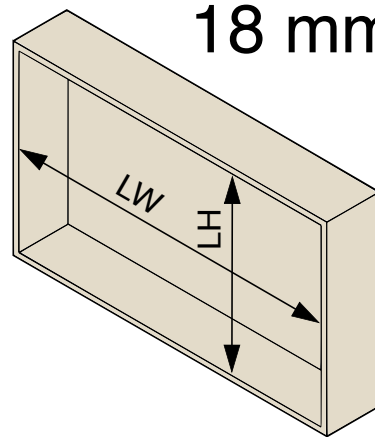
$$HB = LH - 105$$

# R<sub>1</sub>EX

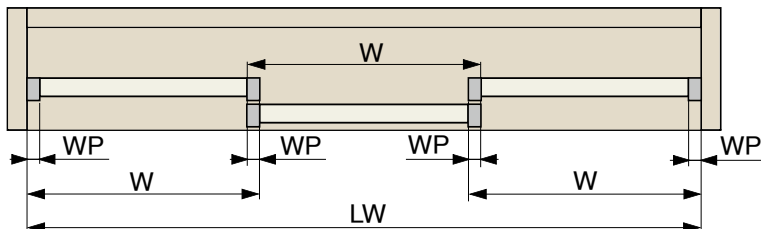
$$W = (LW + WP)/2$$



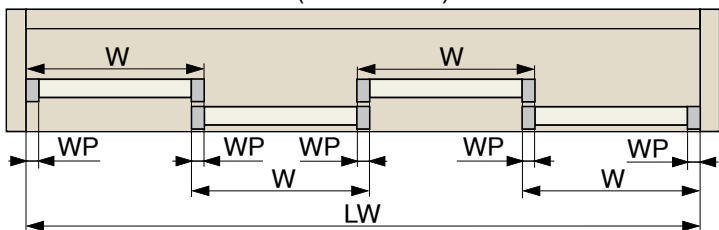
18 mm



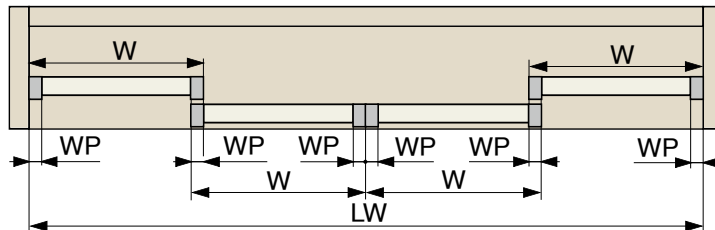
$$W = (LW + 2*WP)/3$$



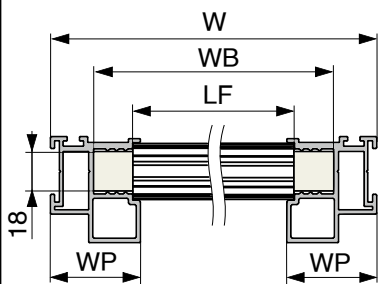
$$W = (LW + 3*WP)/4$$



$$W = (LW + 2*WP)/4$$

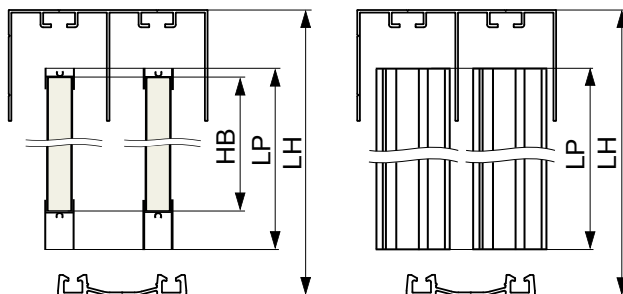


Z15-18  
  
 WP = 26  
 WB = W - 23  
 LF = W - 49



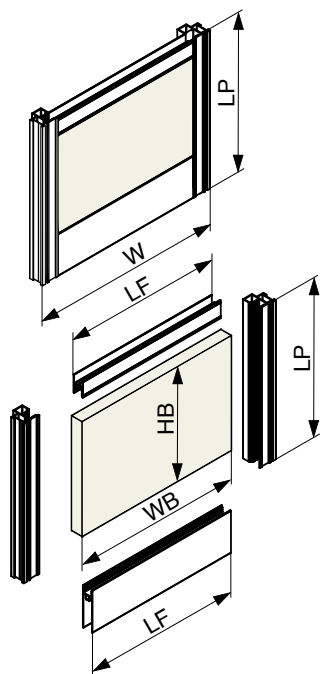
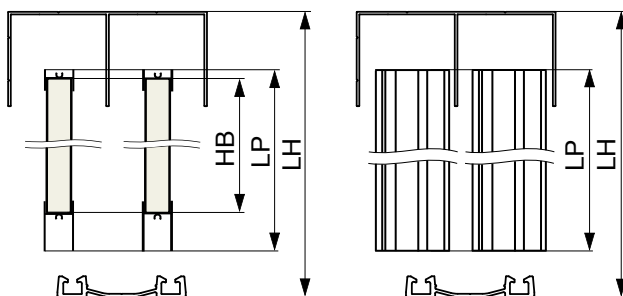
$$LP = LH - 49$$

$$HB = LH - 110$$



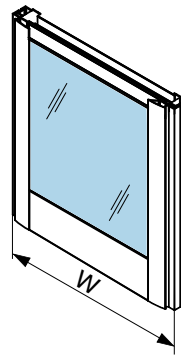
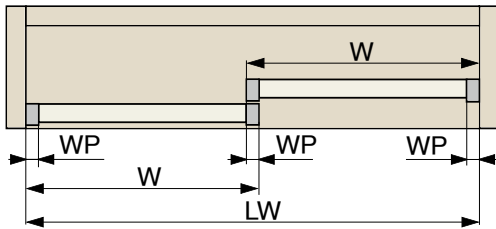
$$LP = LH - 44$$

$$HB = LH - 105$$

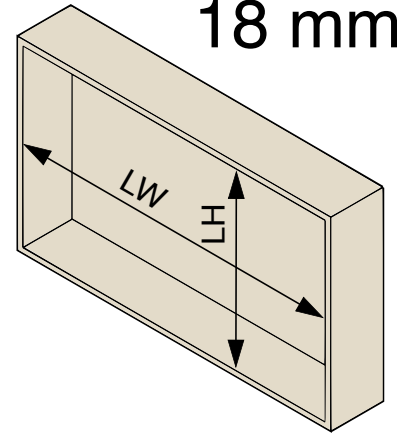


# R<sub>1</sub>Ex

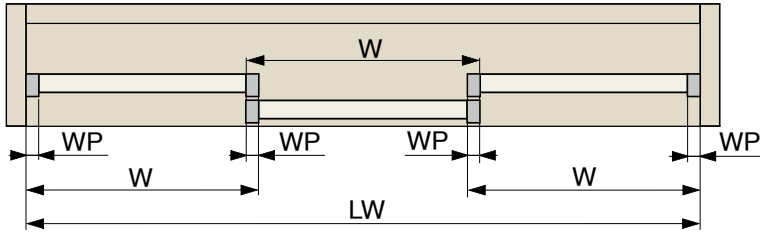
$$W = (LW + WP) / 2$$



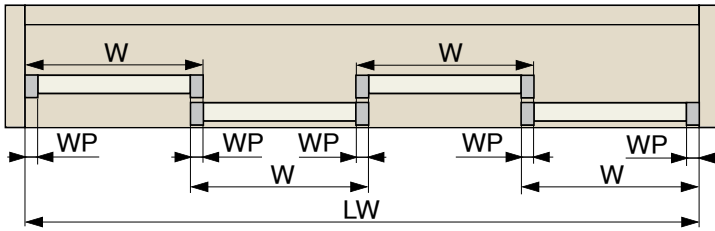
## 18 mm



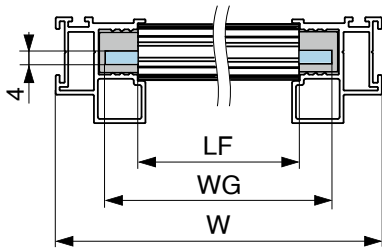
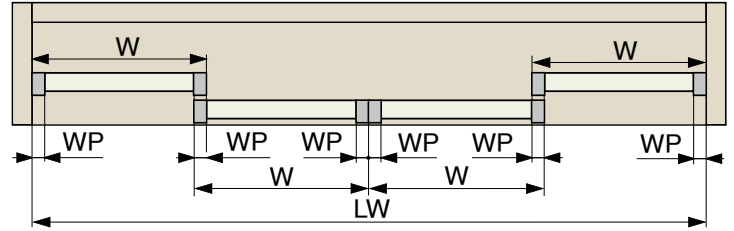
$$W = (LW + 2 \times WP) / 3$$



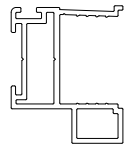
$$W = (LW + 3 \times WP) / 4$$



$$W = (LW + 2 \times WP) / 4$$



P12-18

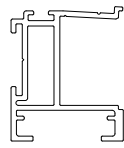


$$WP = 23$$

$$WG = W - 27$$

$$LF = W - 44$$

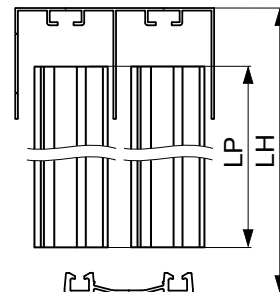
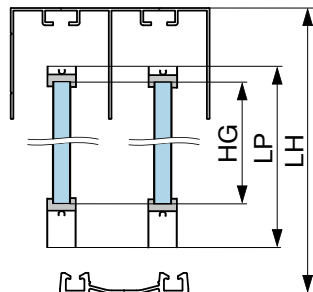
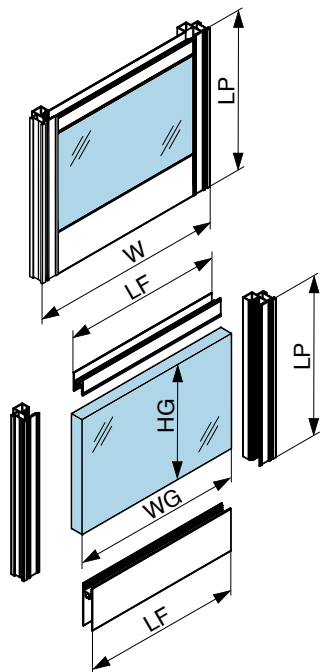
P14-18



$$WP = 23$$

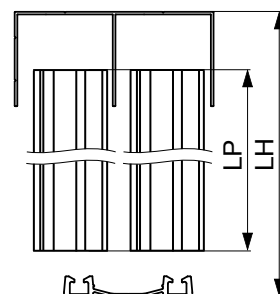
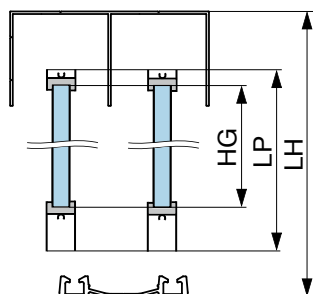
$$WG = W - 27$$

$$LF = W - 45$$



$$LP = LH - 49$$

$$HG = LH - 116$$



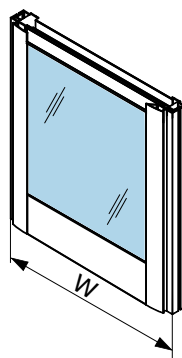
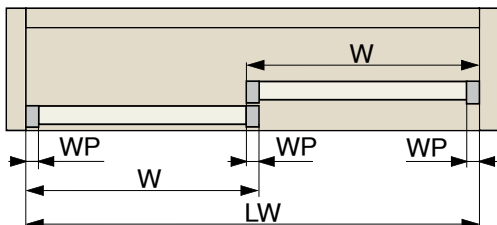
$$LP = LH - 44$$

$$HG = LH - 111$$

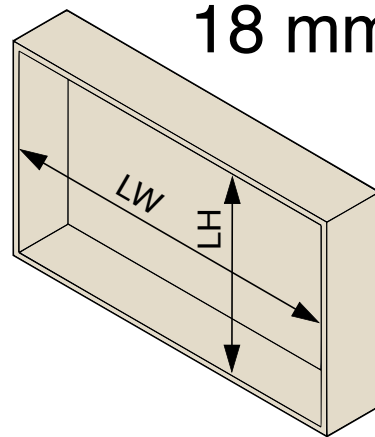


# R<sub>1</sub>Ex

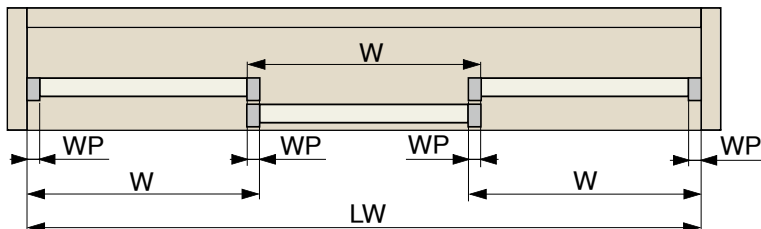
$$W = (LW + WP)/2$$



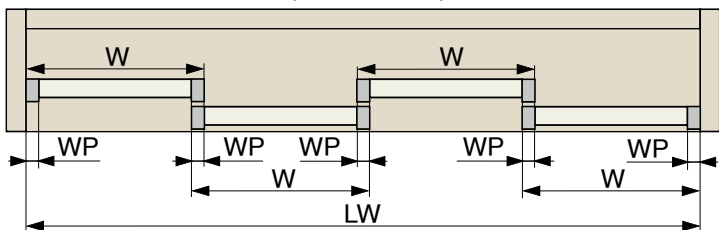
## 18 mm



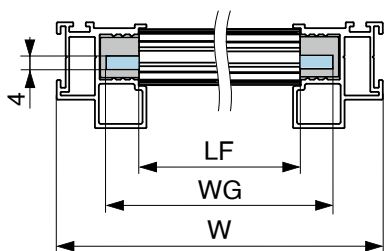
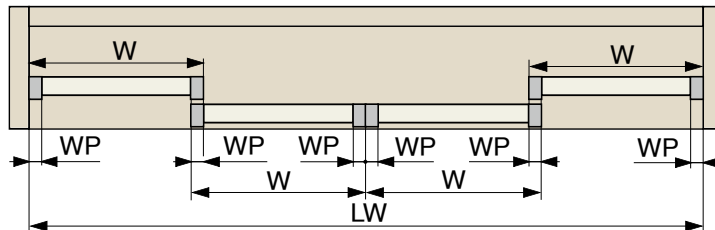
$$W = (LW + 2 \times WP)/3$$



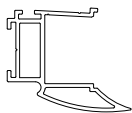
$$W = (LW + 3 \times WP)/4$$



$$W = (LW + 2 \times WP)/4$$

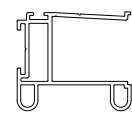


P11-18

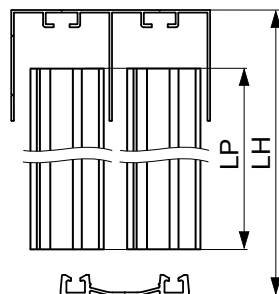
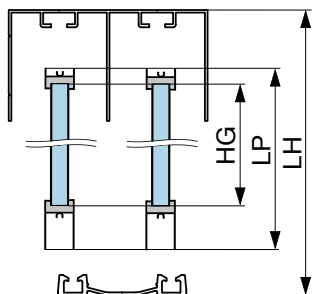
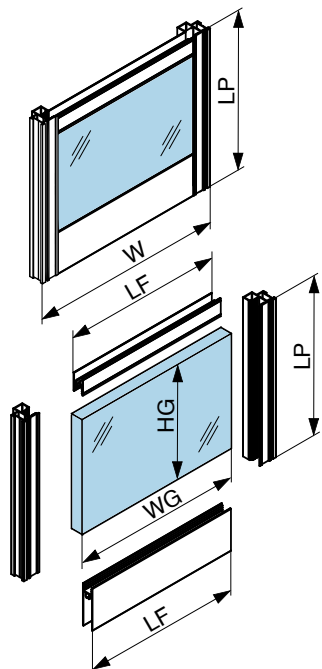


$$\begin{aligned} WP &= 32 \\ WG &= W - 27 \\ LF &= W - 46 \end{aligned}$$

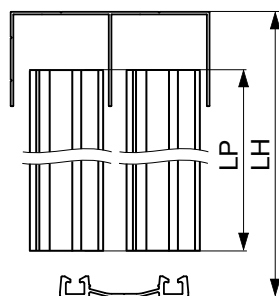
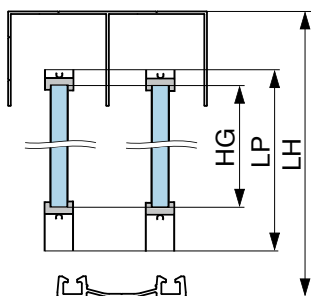
P13-18



$$\begin{aligned} WP &= 32 \\ WG &= W - 27 \\ LF &= W - 64 \end{aligned}$$



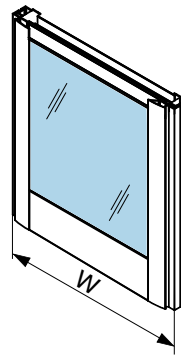
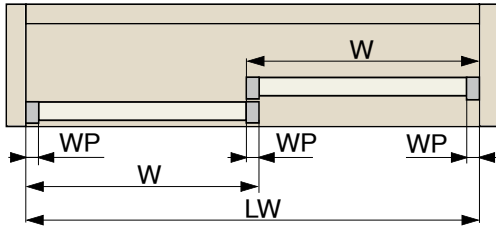
$$\begin{aligned} LP &= LH - 49 \\ HG &= LH - 116 \end{aligned}$$



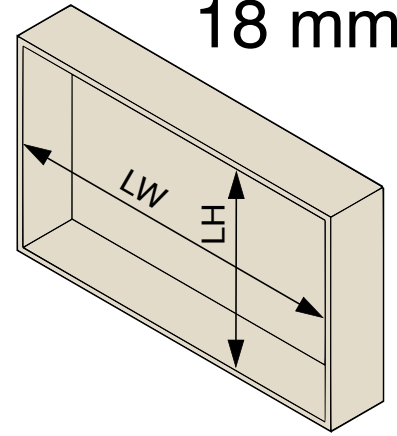
$$\begin{aligned} LP &= LH - 44 \\ HG &= LH - 111 \end{aligned}$$

# R<sub>1</sub>Ex

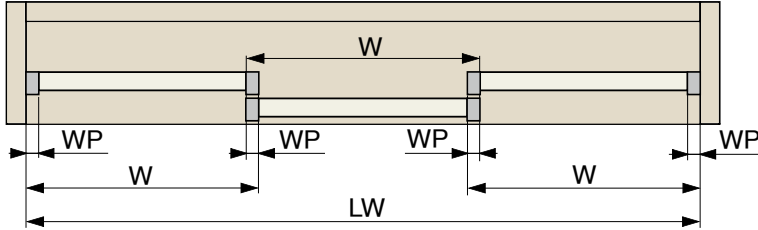
$$W = (LW + WP)/2$$



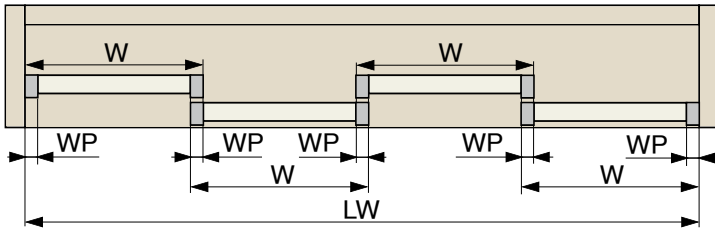
## 18 mm



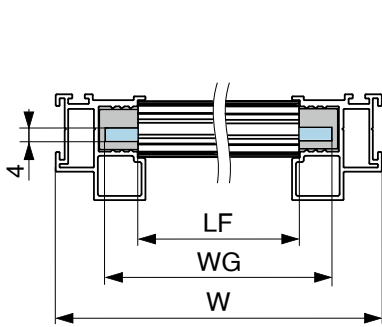
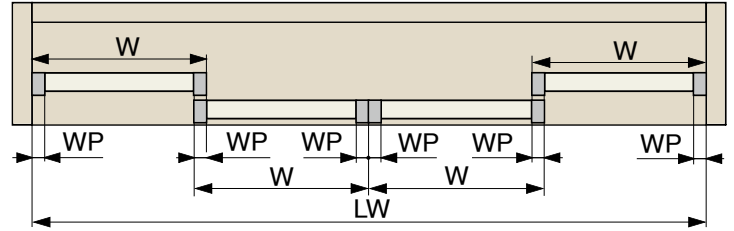
$$W = (LW + 2 \times WP)/3$$



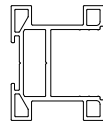
$$W = (LW + 3 \times WP)/4$$



$$W = (LW + 2 \times WP)/4$$



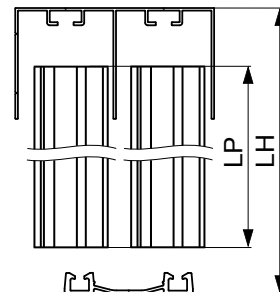
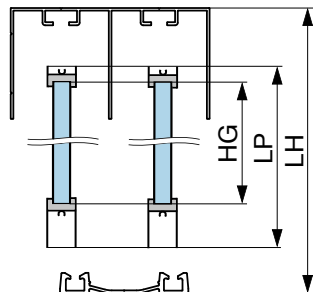
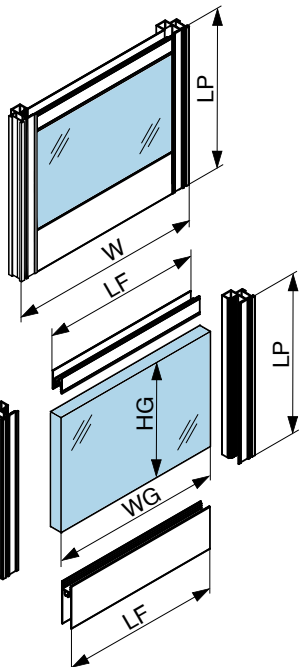
Z15-18



$$WP = 26$$

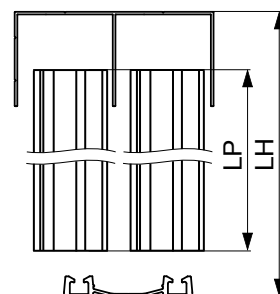
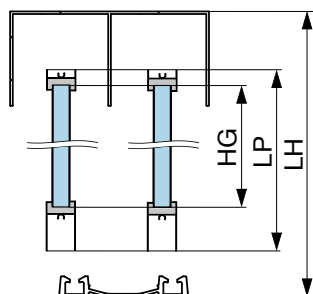
$$WG = W - 29$$

$$LF = W - 49$$



$$LP = LH - 49$$

$$HG = LH - 116$$

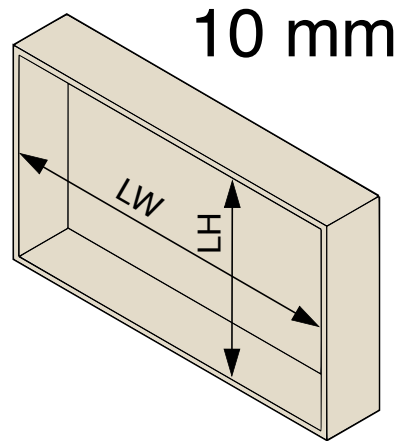
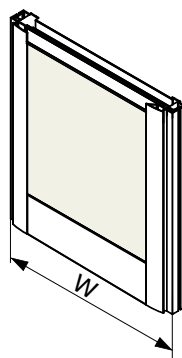
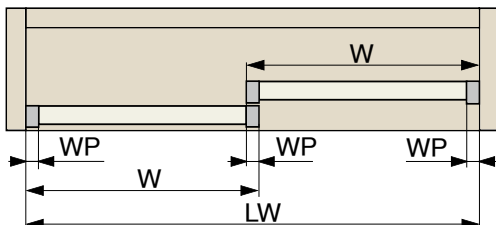


$$LP = LH - 44$$

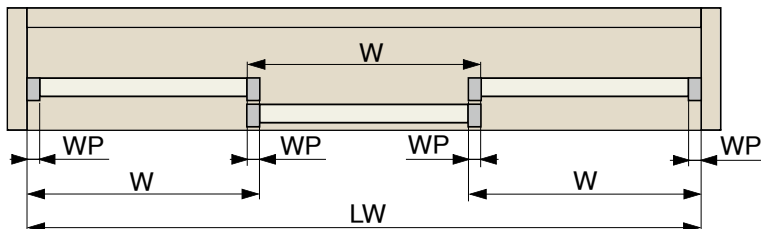
$$HG = LH - 111$$

# R<sub>1</sub>EX

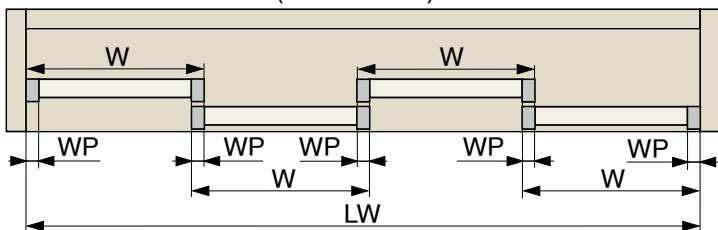
$$W = (LW + WP)/2$$



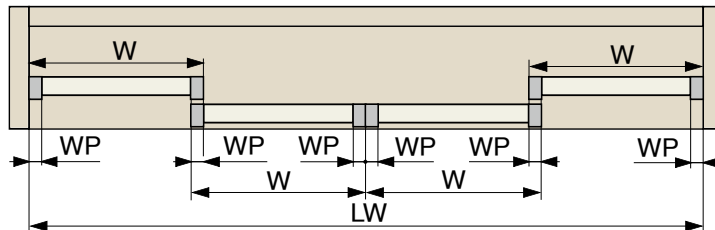
$$W = (LW + 2 \times WP)/3$$



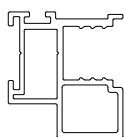
$$W = (LW + 3 \times WP)/4$$



$$W = (LW + 2 \times WP)/4$$



P21-10

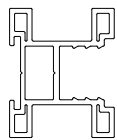


$$WP = 23$$

$$WB = W - 23$$

$$LF = W - 42$$

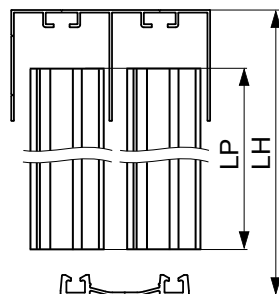
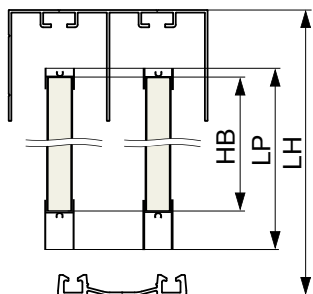
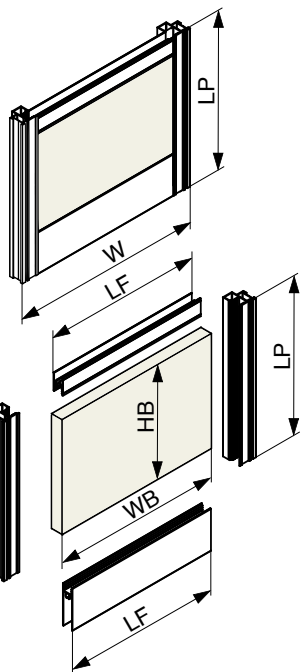
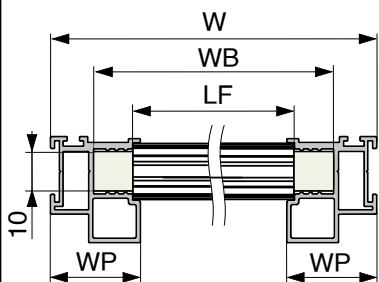
Z24-10



$$WP = 23$$

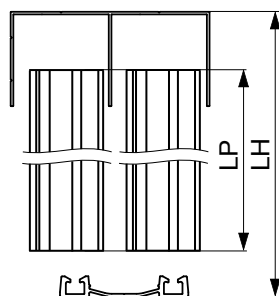
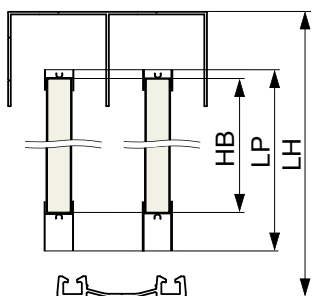
$$WB = W - 21$$

$$LF = W - 39$$



$$LP = LH - 49$$

$$HB = LH - 110$$

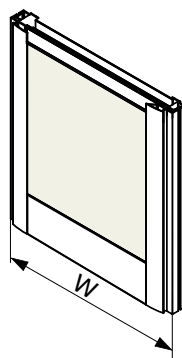
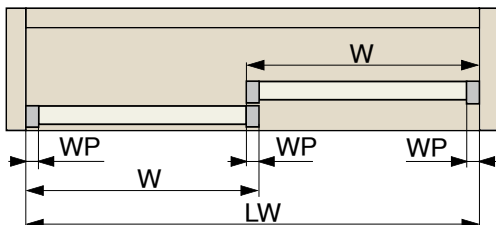


$$LP = LH - 44$$

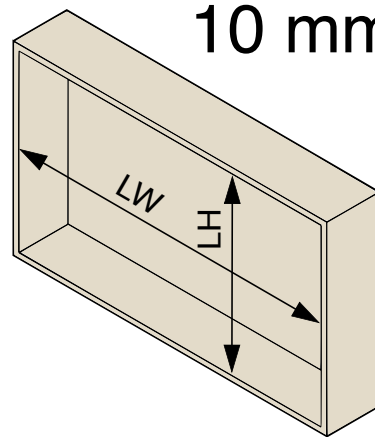
$$HB = LH - 105$$

# R<sub>1</sub>EX

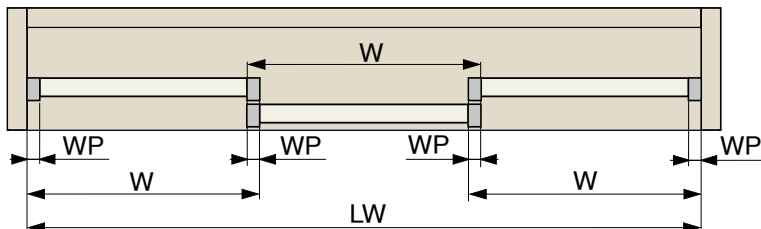
$$W = (LW + WP)/2$$



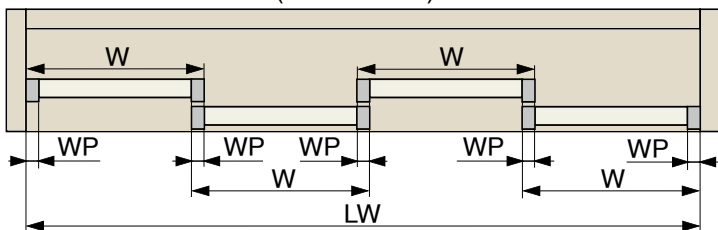
10 mm



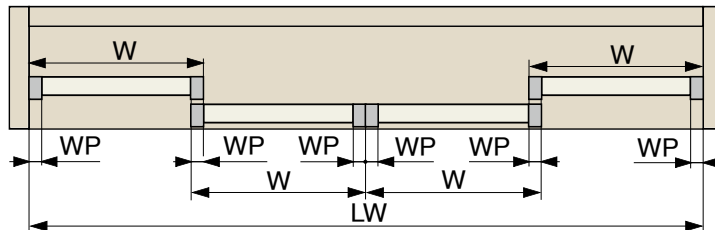
$$W = (LW + 2 \times WP)/3$$



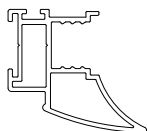
$$W = (LW + 3 \times WP)/4$$



$$W = (LW + 2 \times WP)/4$$



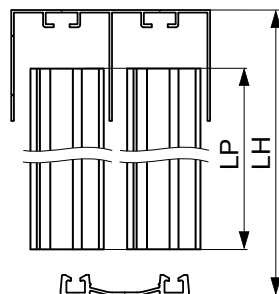
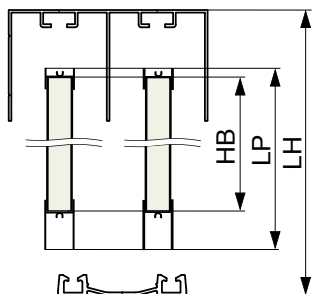
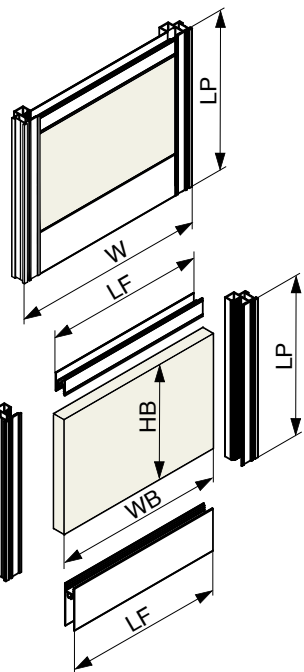
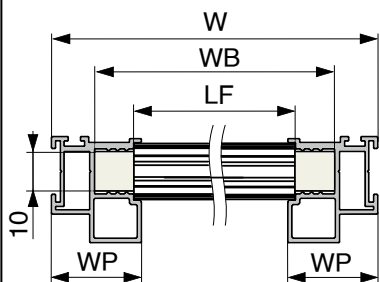
P22-10



$$WP = 32$$

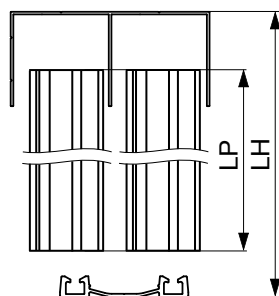
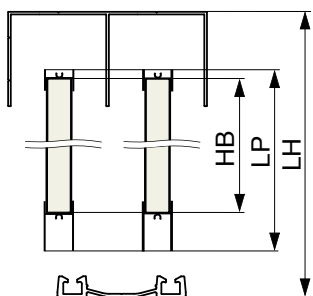
$$WB = W - 21$$

$$LF = W - 39$$



$$LP = LH - 49$$

$$HB = LH - 110$$

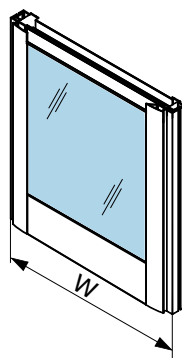
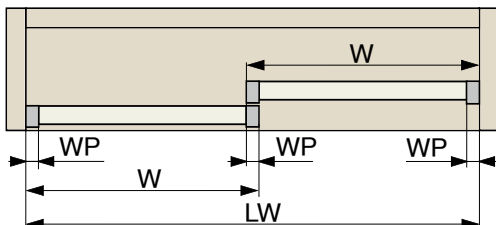


$$LP = LH - 44$$

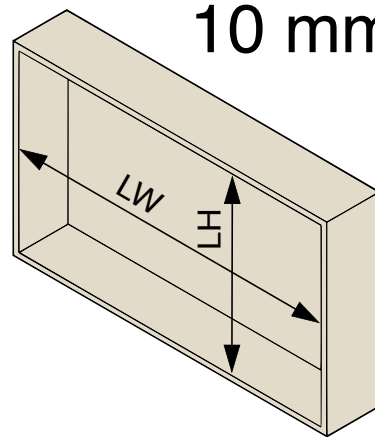
$$HB = LH - 105$$

# R<sub>1</sub>Ex

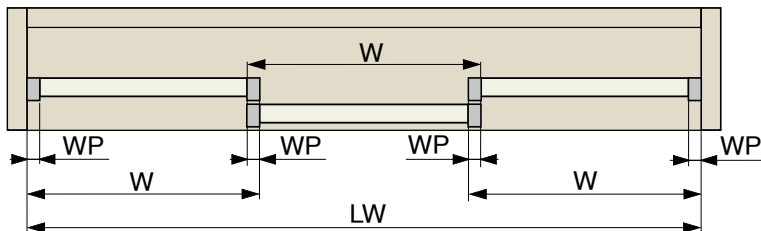
$$W = (LW + WP)/2$$



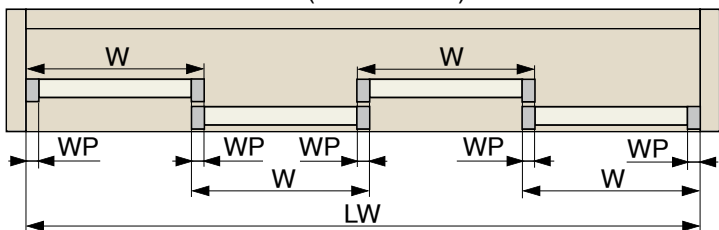
10 mm



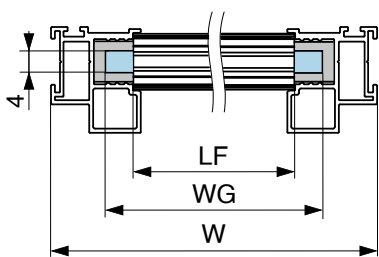
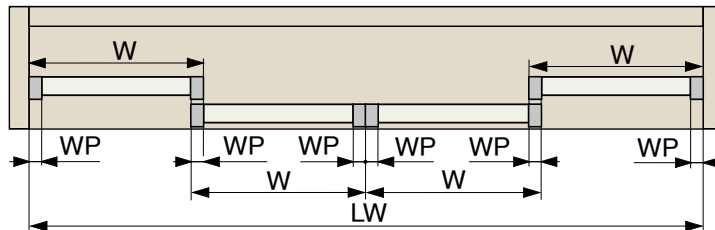
$$W = (LW + 2 \times WP)/3$$



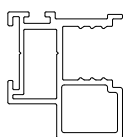
$$W = (LW + 3 \times WP)/4$$



$$W = (LW + 2 \times WP)/4$$



P21-10

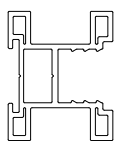


$$WP = 23$$

$$WG = W - 28$$

$$LF = W - 42$$

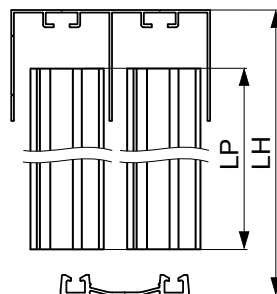
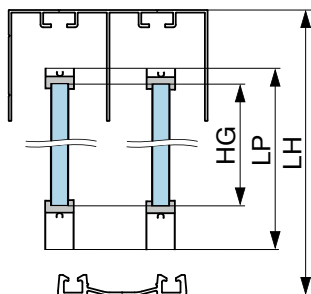
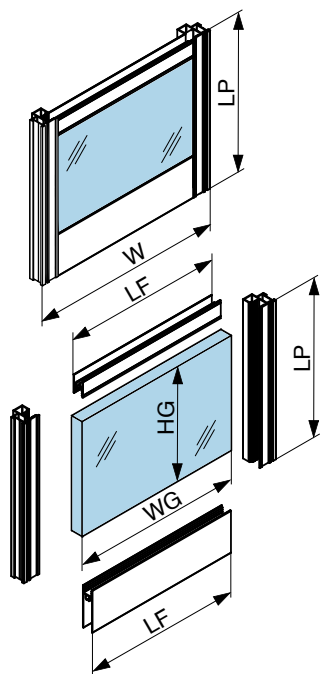
Z24-10



$$WP = 23$$

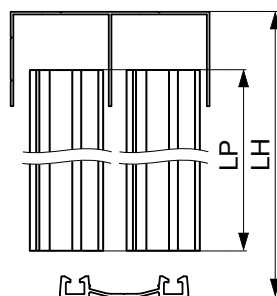
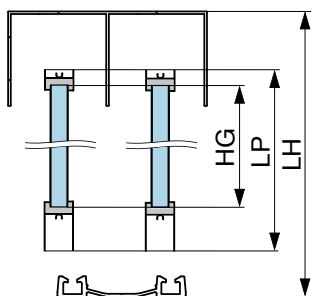
$$WG = W - 26$$

$$LF = W - 39$$



$$LP = LH - 49$$

$$HG = LH - 114$$

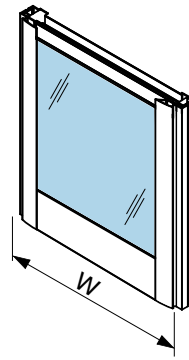
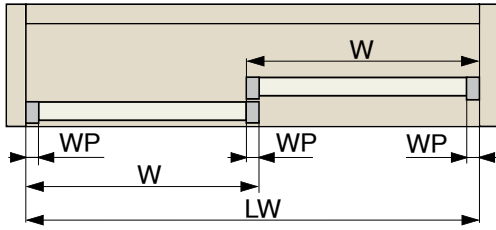


$$LP = LH - 44$$

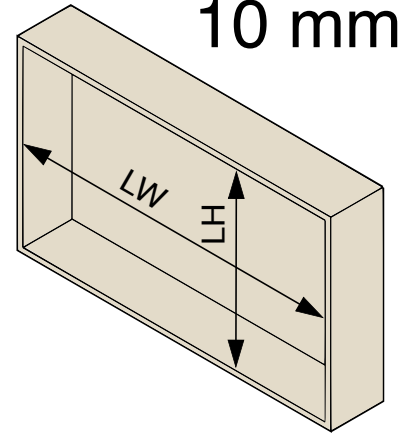
$$HG = LH - 109$$

# R<sub>1</sub>Ex

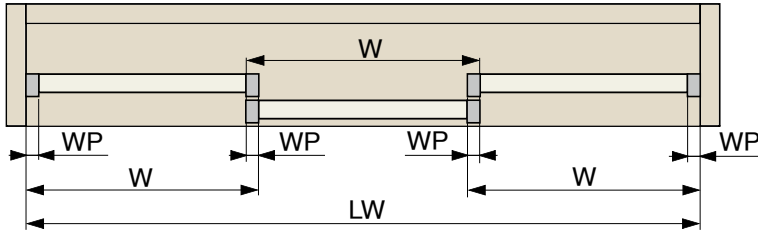
$$W = (LW + WP)/2$$



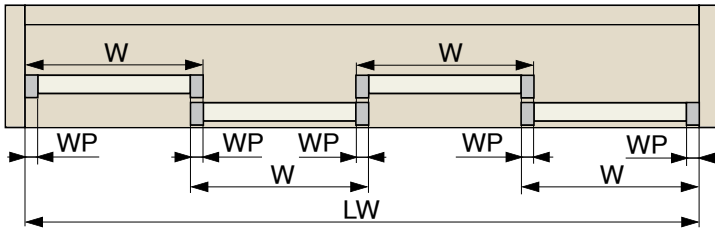
10 mm



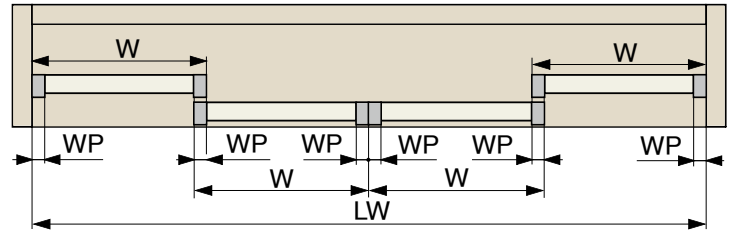
$$W = (LW + 2 \times WP)/3$$



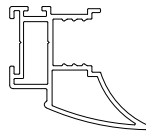
$$W = (LW + 3 \times WP)/4$$



$$W = (LW + 2 \times WP)/4$$



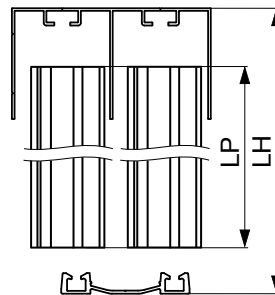
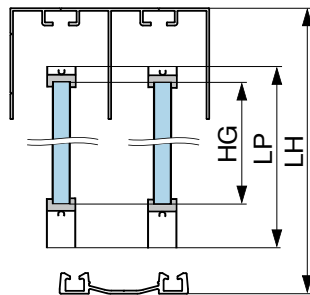
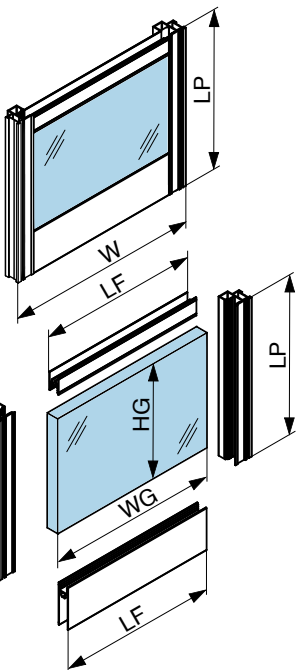
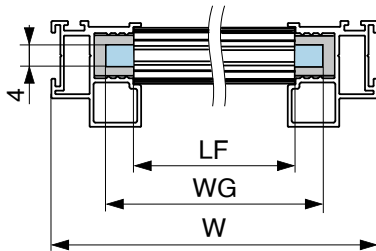
P22-10



$$WP = 32$$

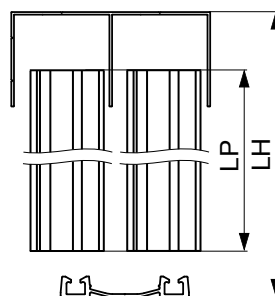
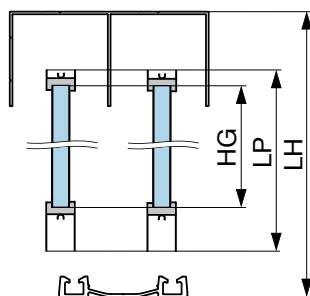
$$WG = W - 26$$

$$LF = W - 39$$



$$LP = LH - 49$$

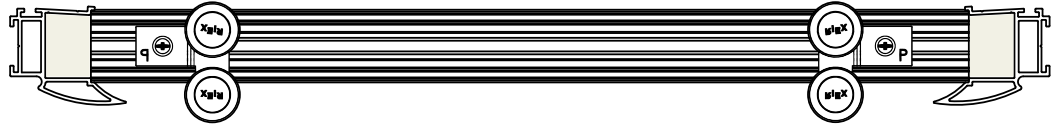
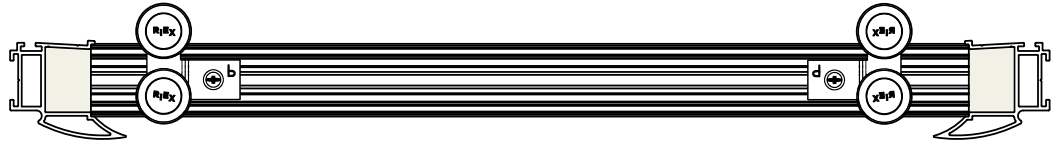
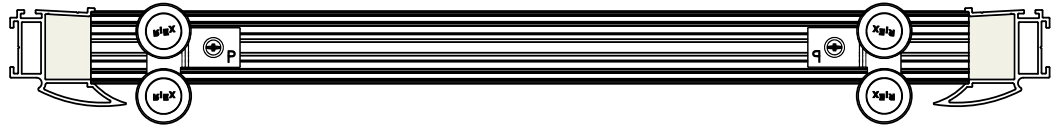
$$HG = LH - 114$$



$$LP = LH - 44$$

$$HG = LH - 109$$

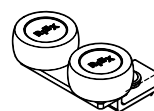
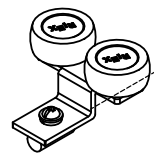
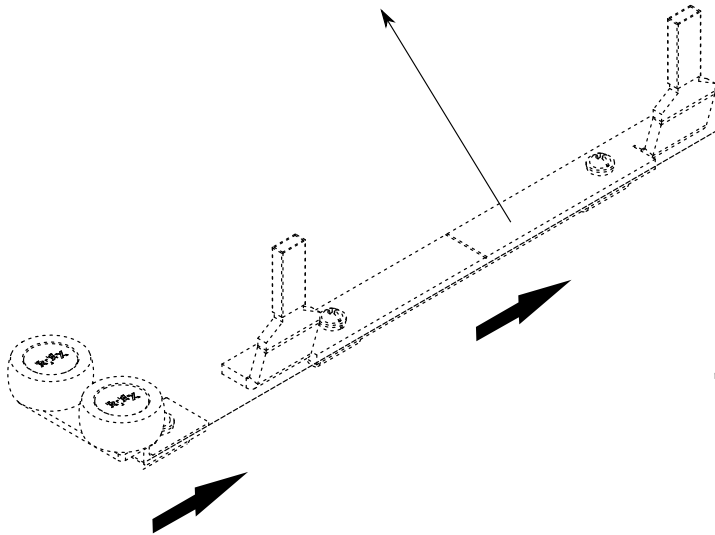
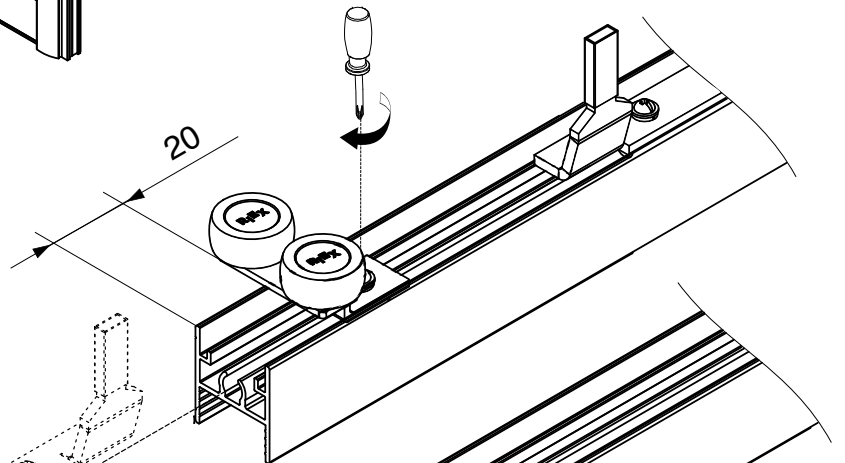
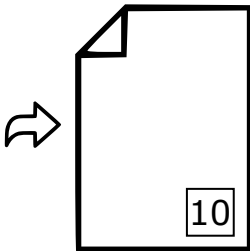
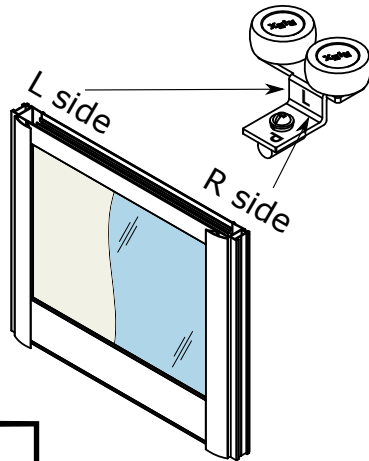
# R<sub>1</sub>Ex



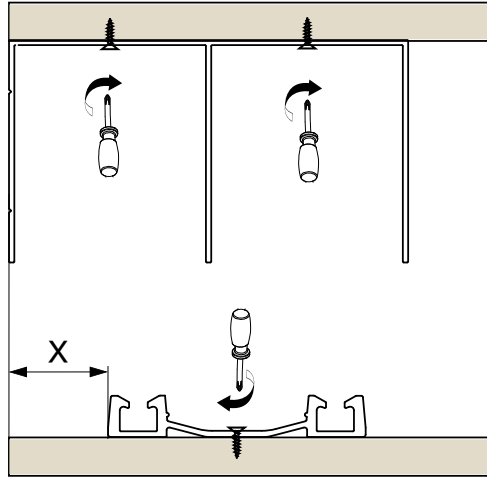
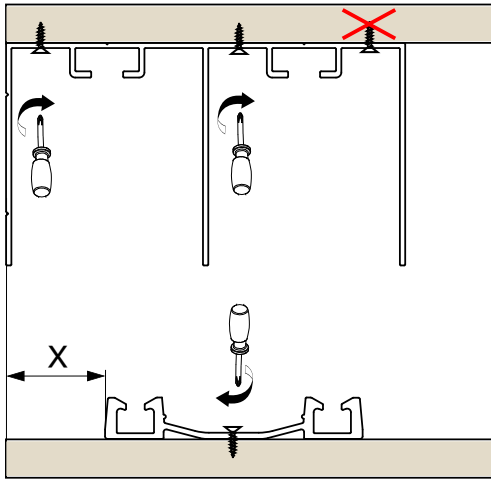
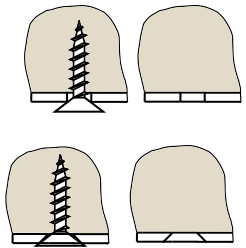
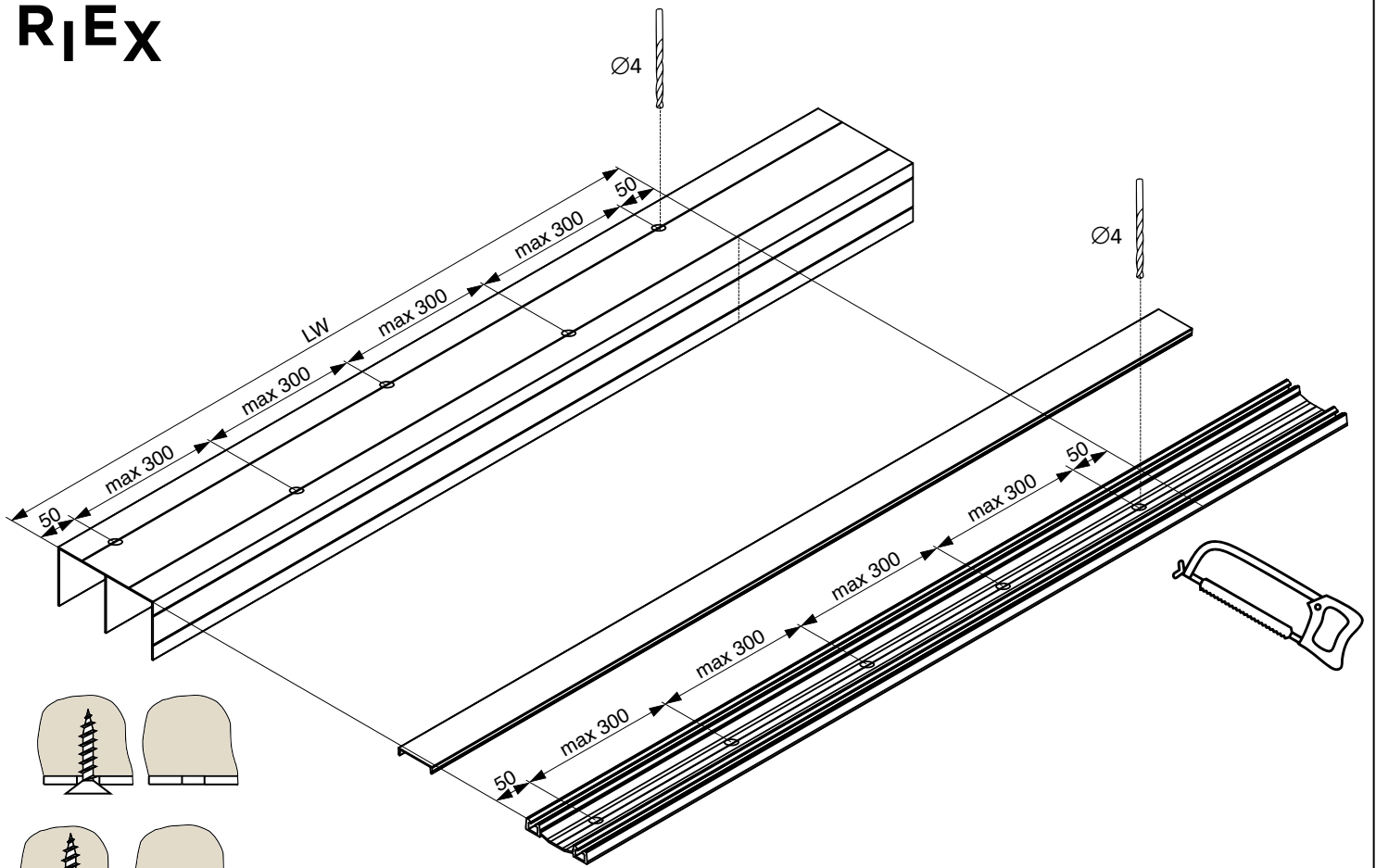
Z types



P types

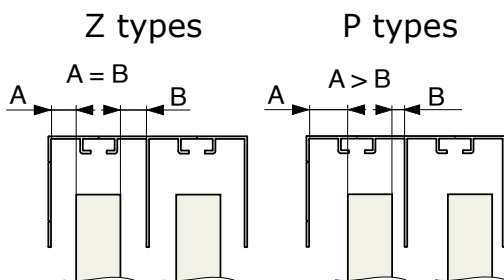
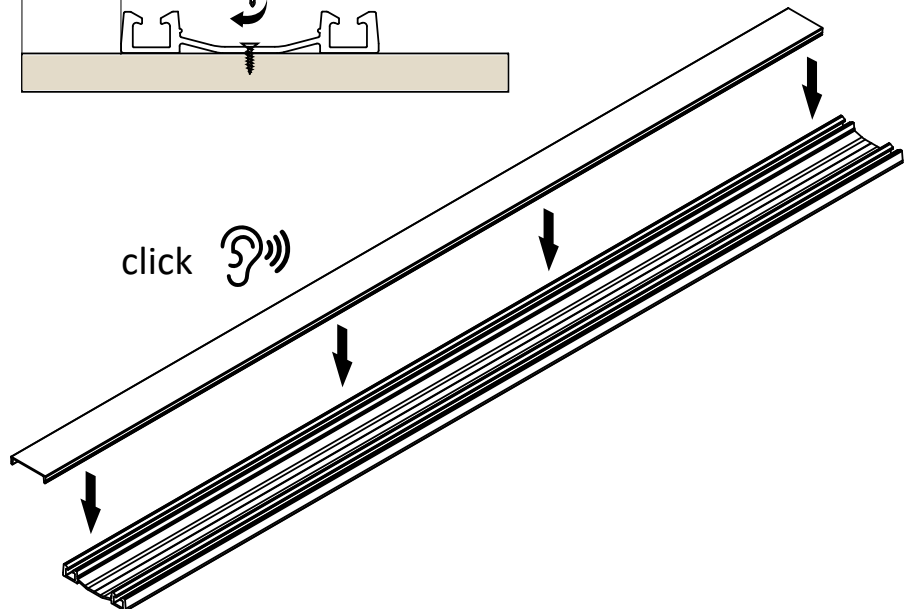


# R|Ex



|   | P types | Z types |
|---|---------|---------|
| X | 18      | 13      |

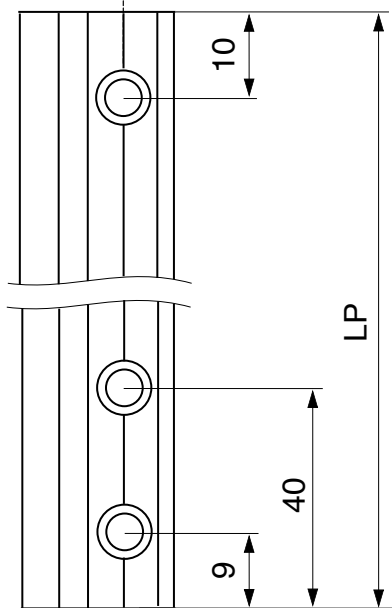
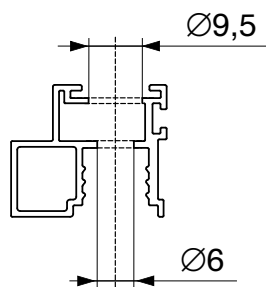
click 





# RiEx

18 mm



1

5

6

18

1

5

1

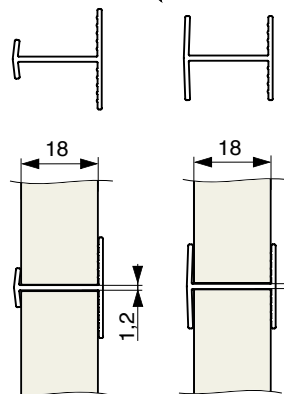
2

3

4

6

18

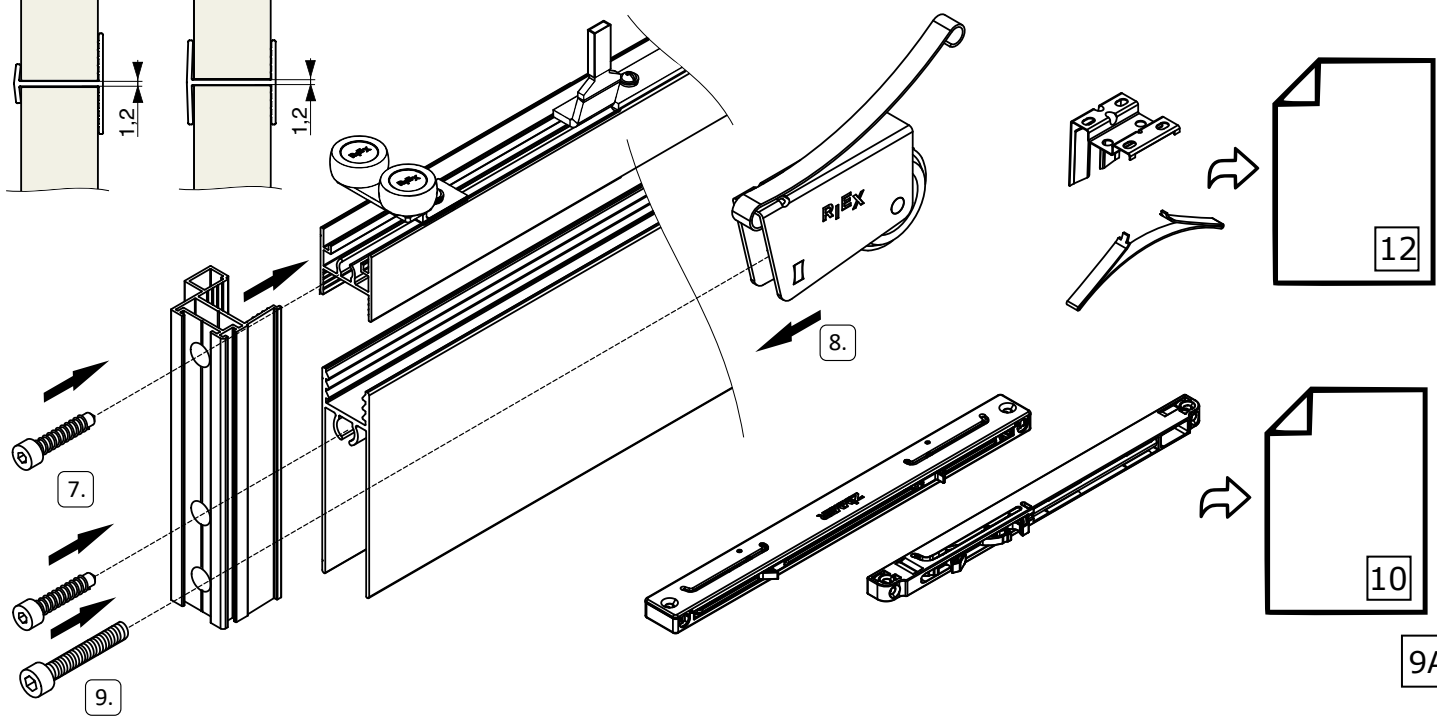


8

12

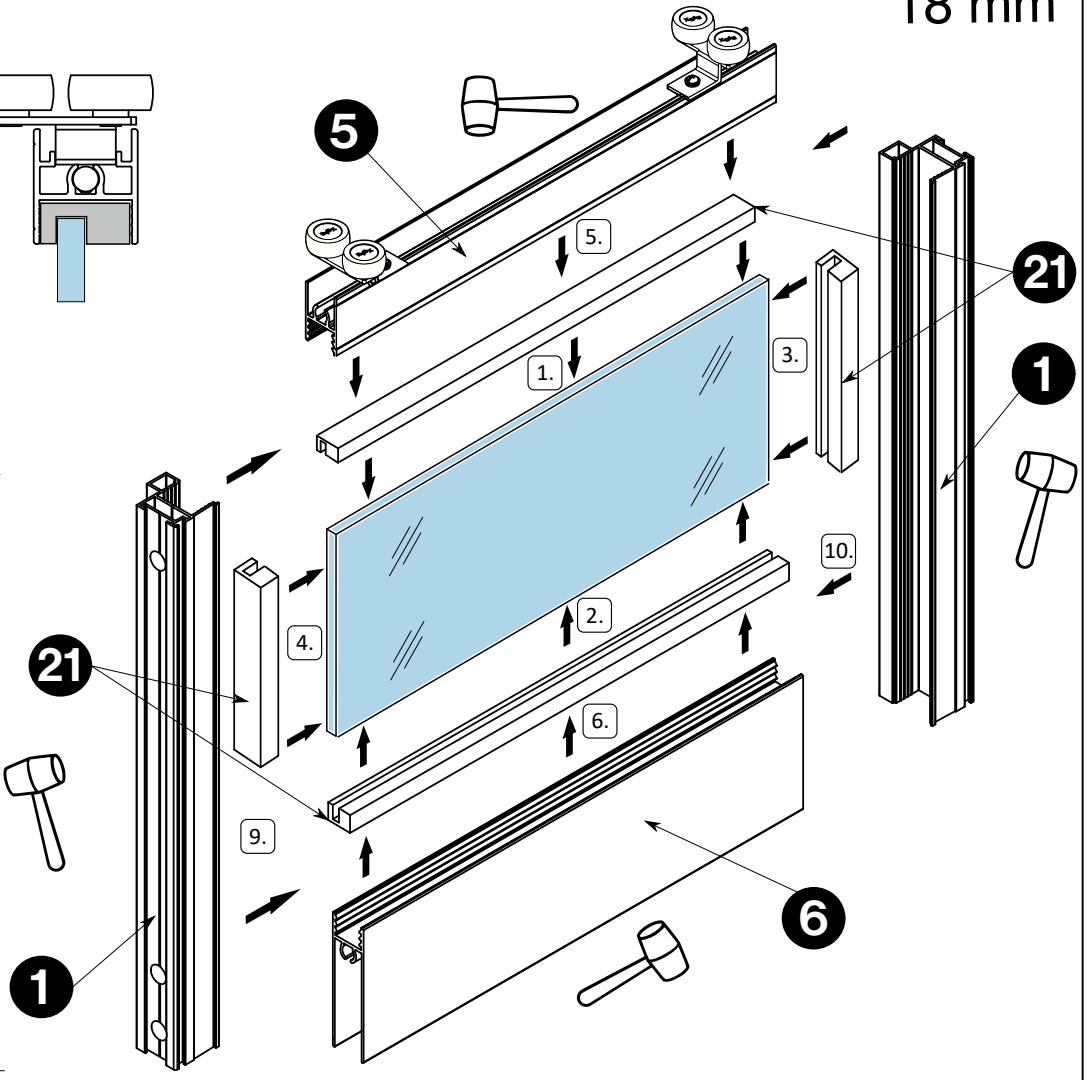
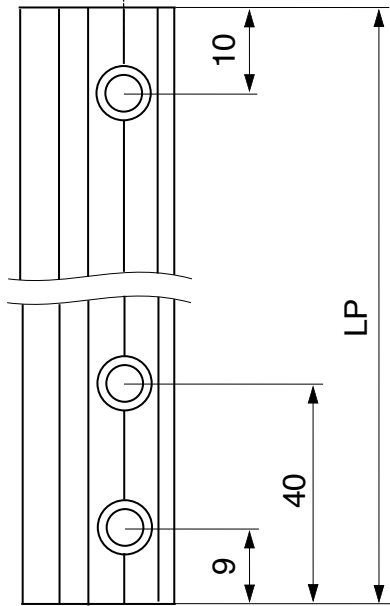
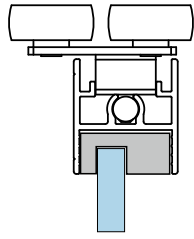
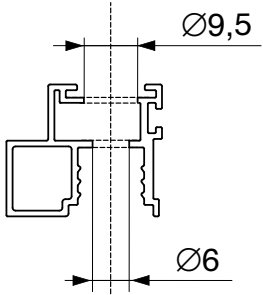
10

9A

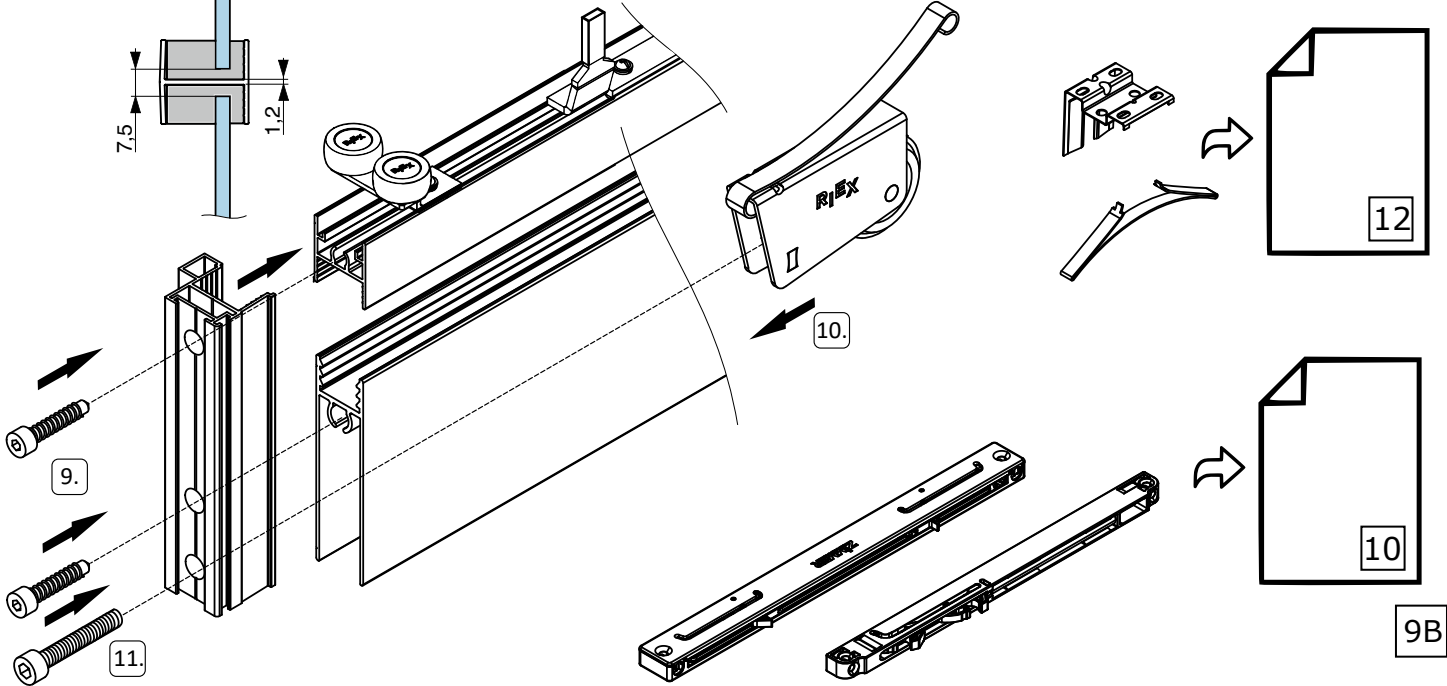
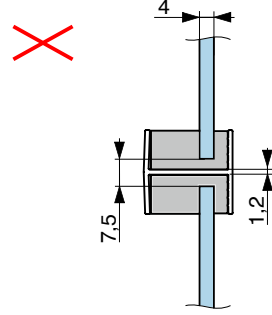
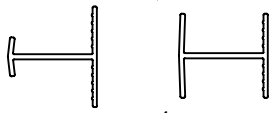


# RiEx

18 mm



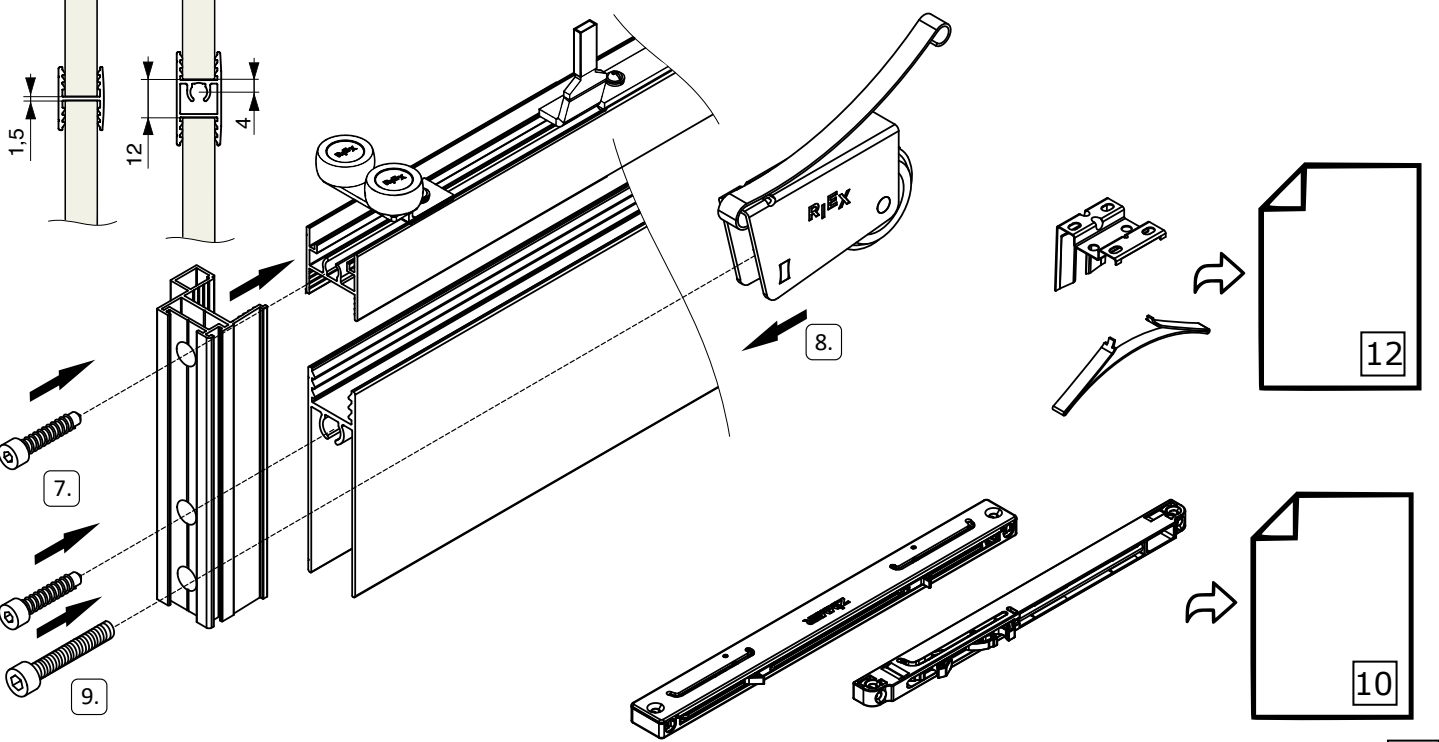
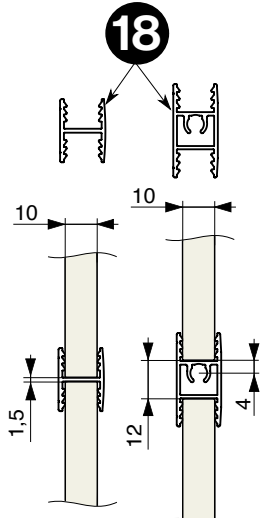
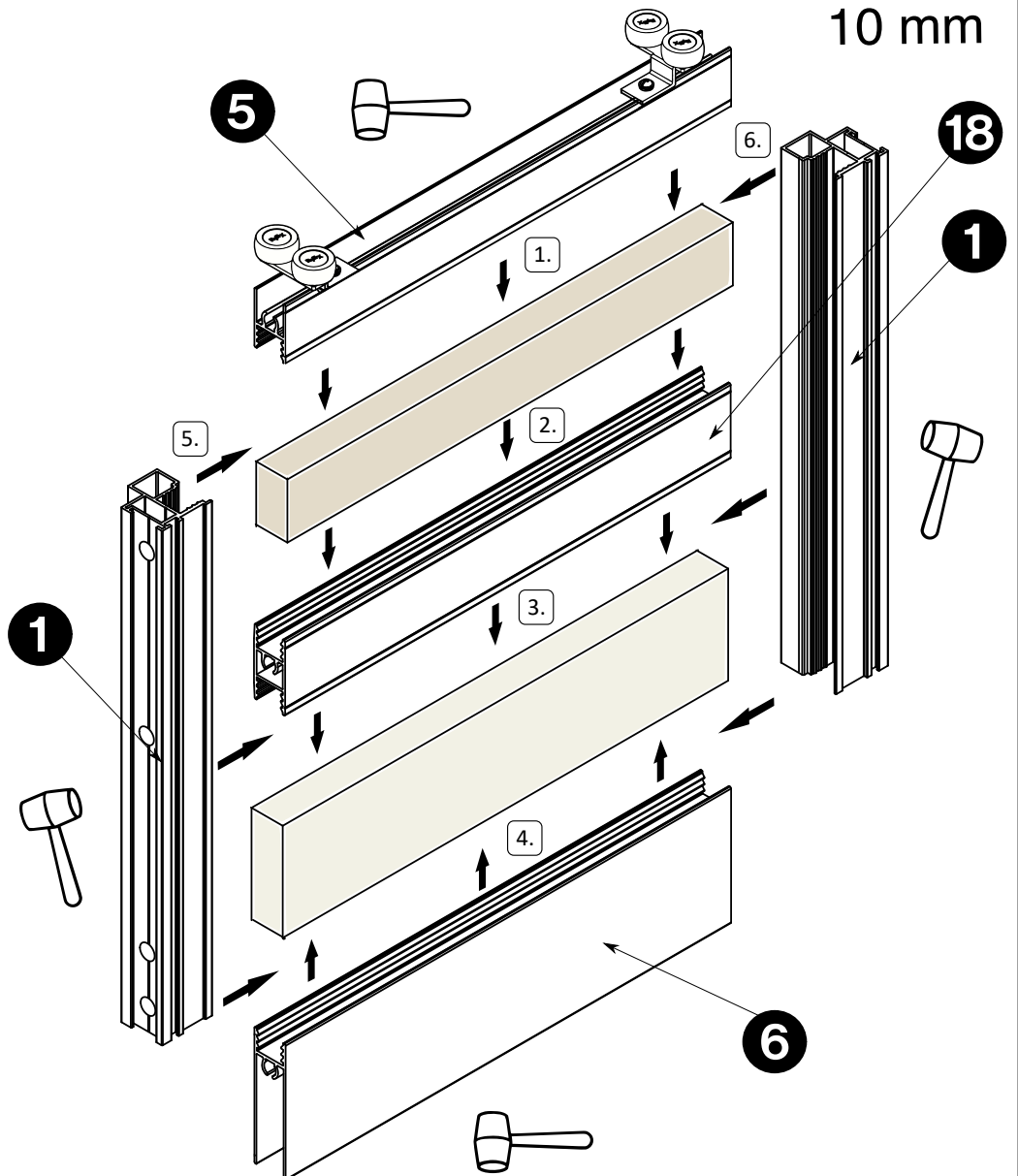
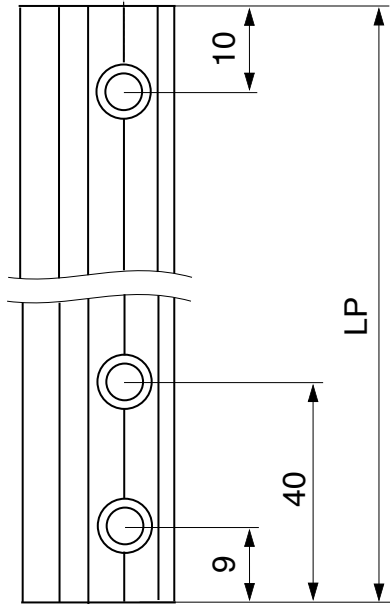
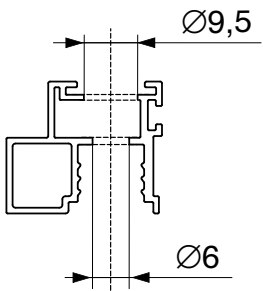
18



9B

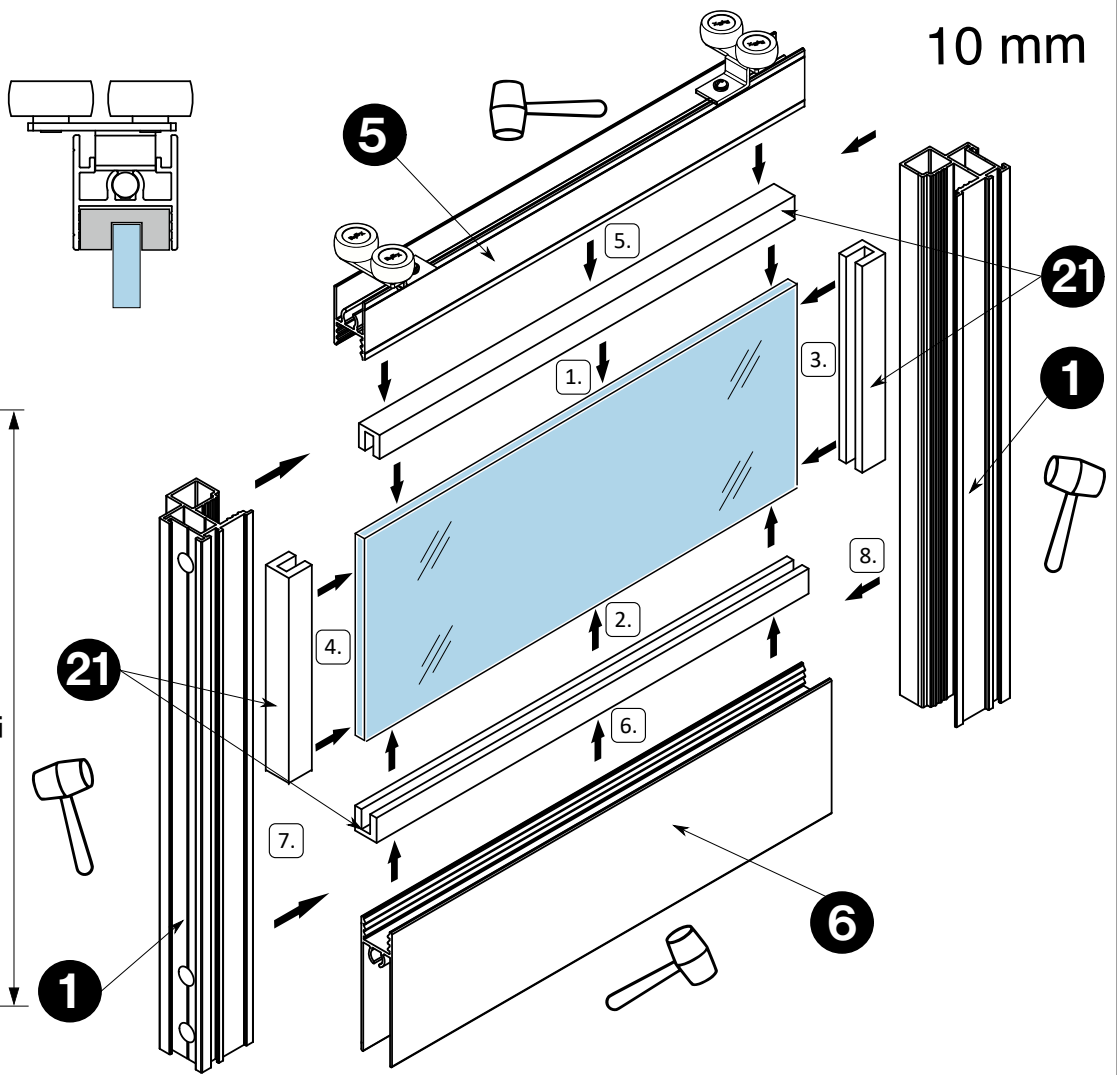
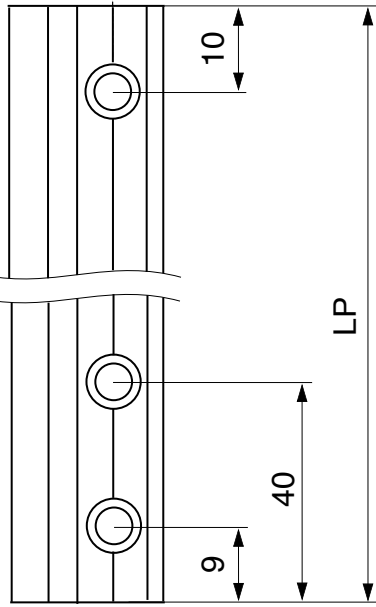
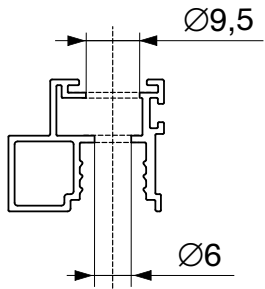
# RiEx

10 mm

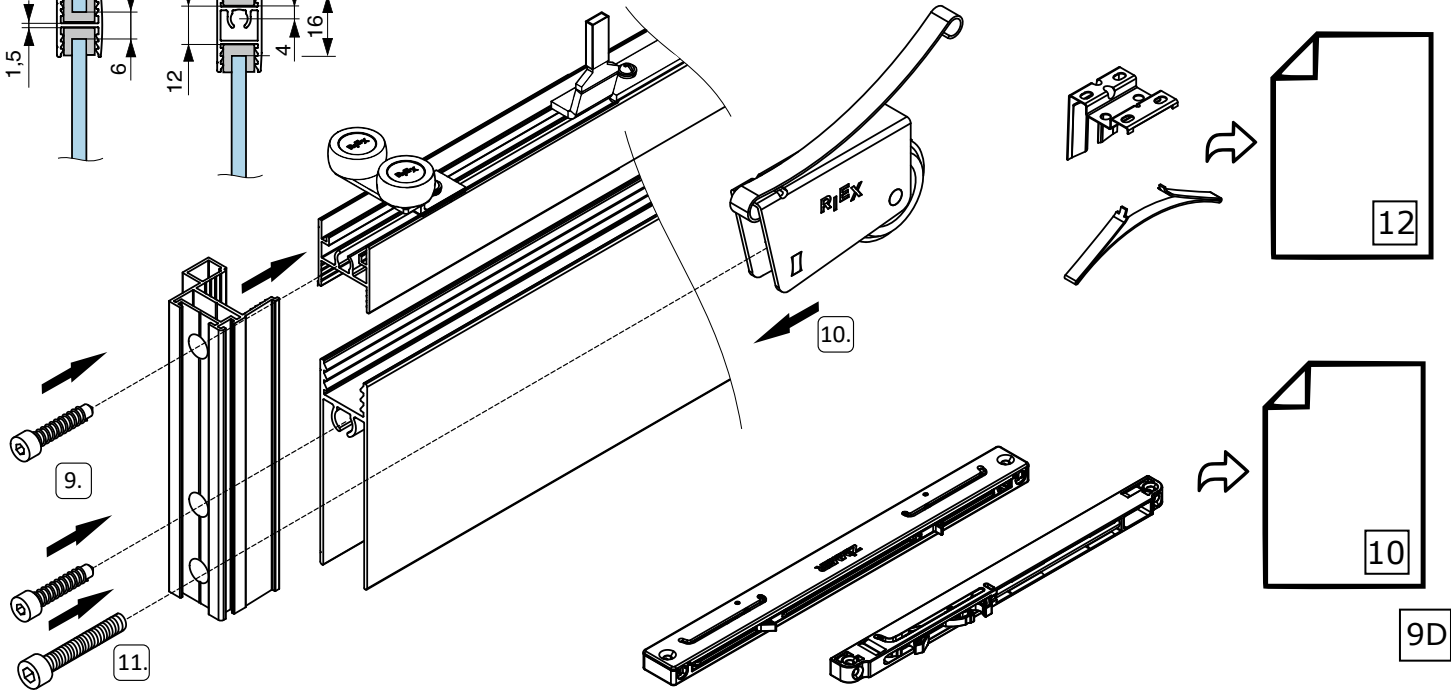
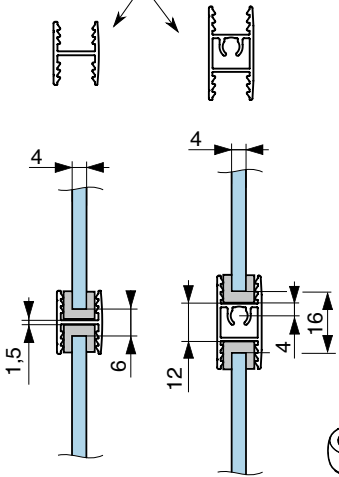


# RiEx

10 mm



18

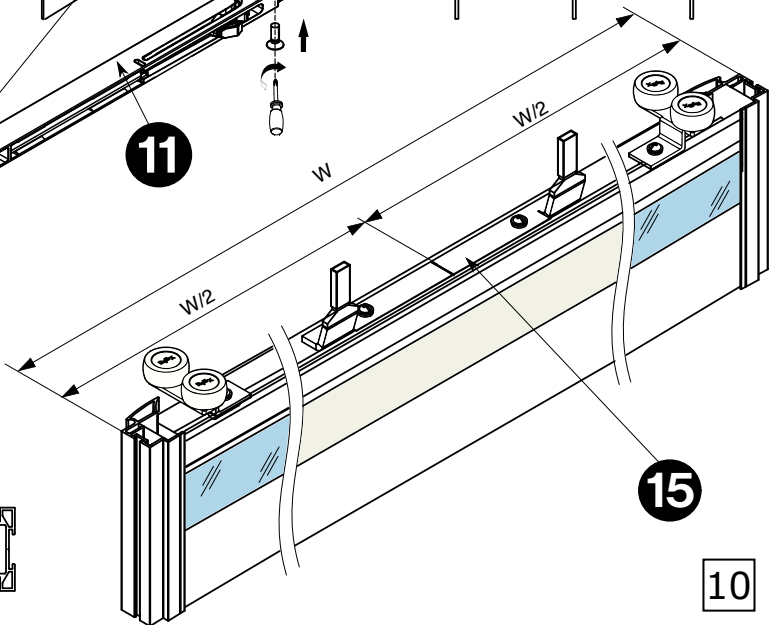
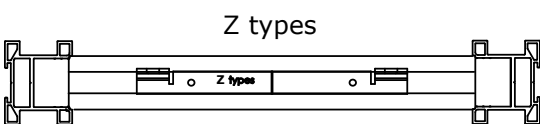
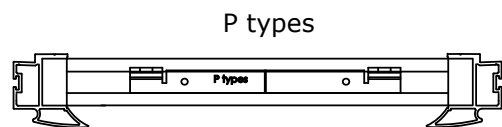
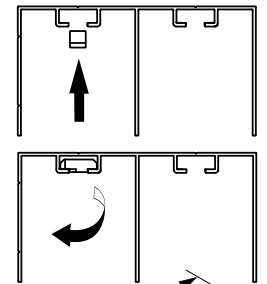
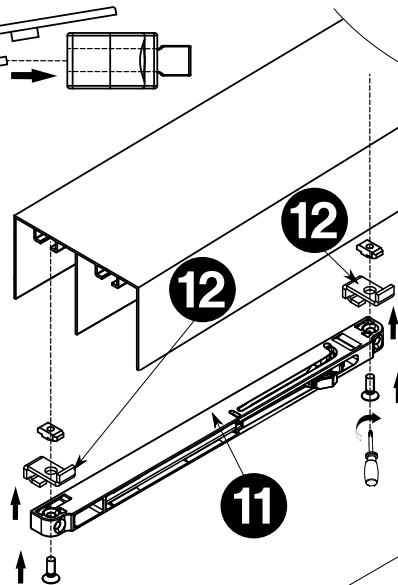
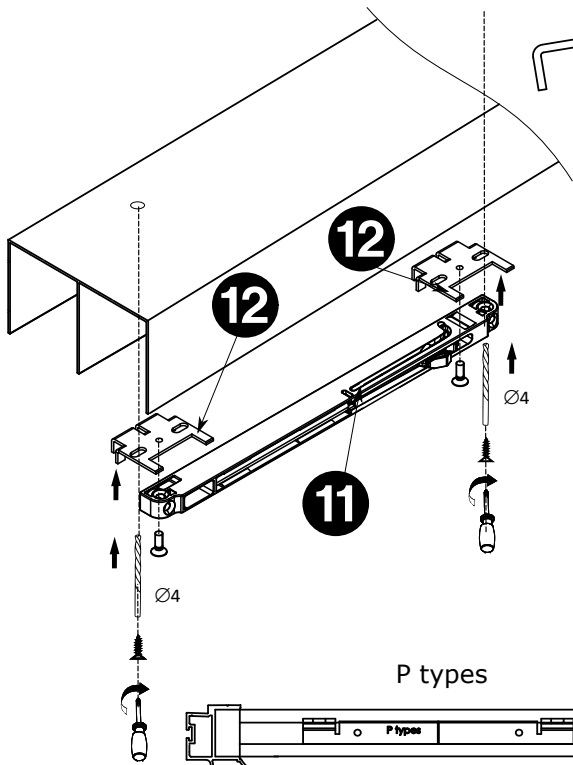
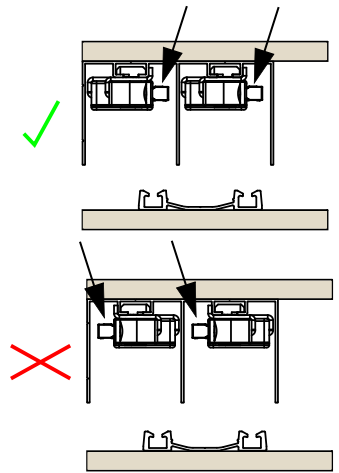
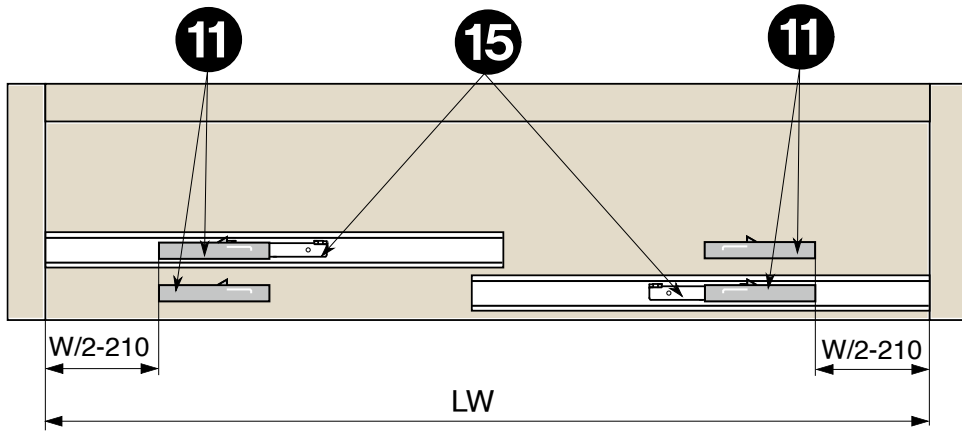
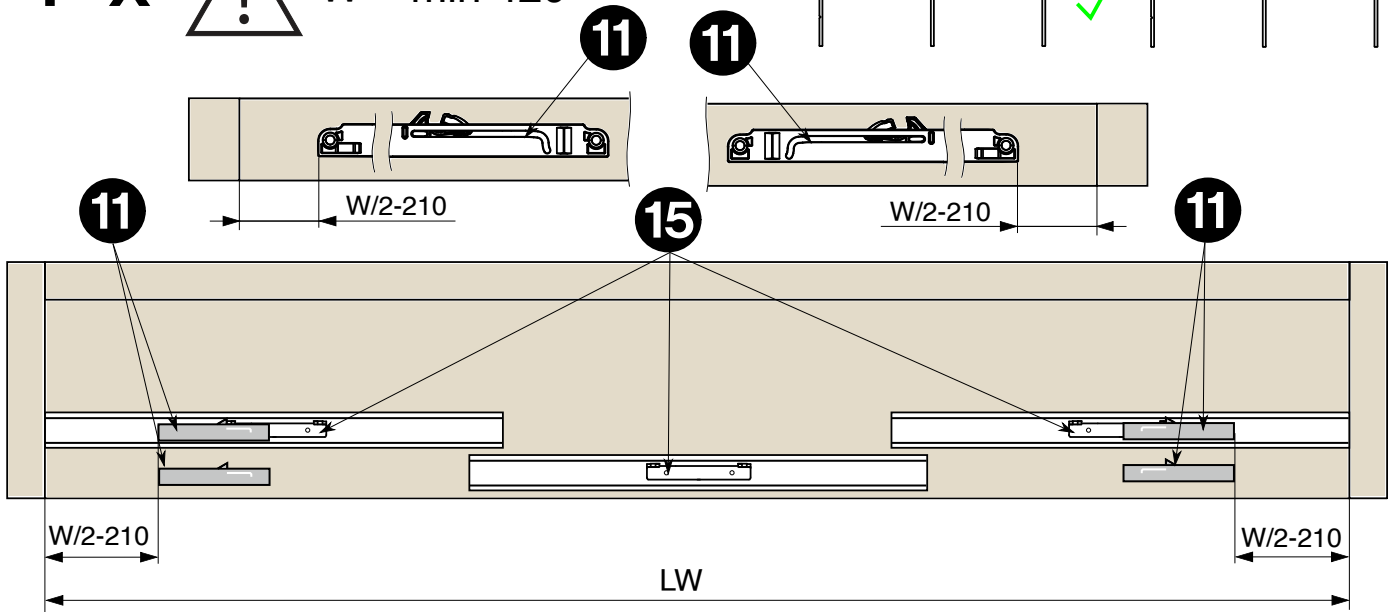
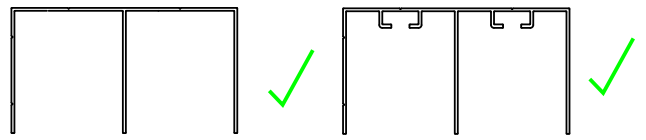


9D

# RiEx



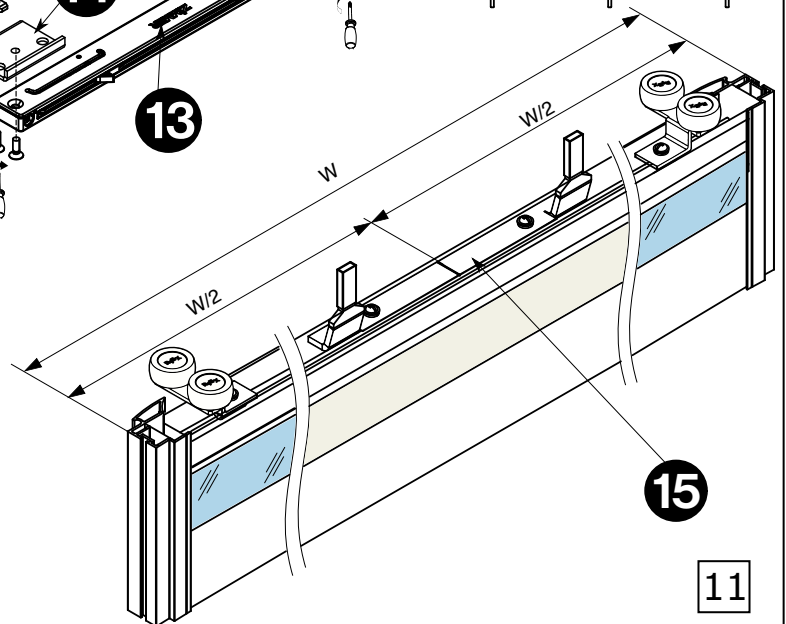
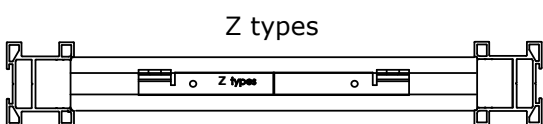
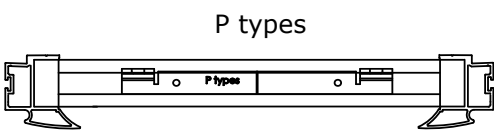
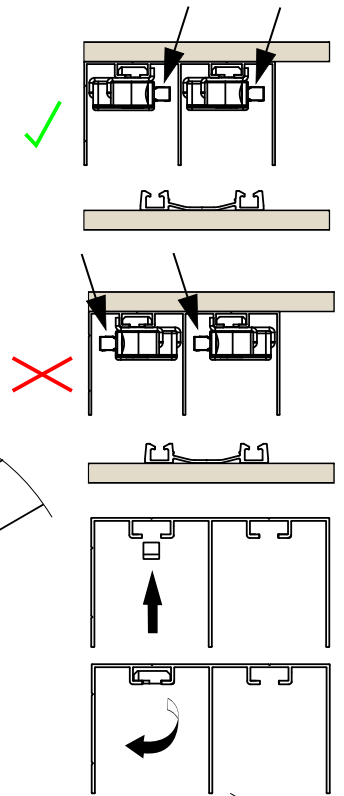
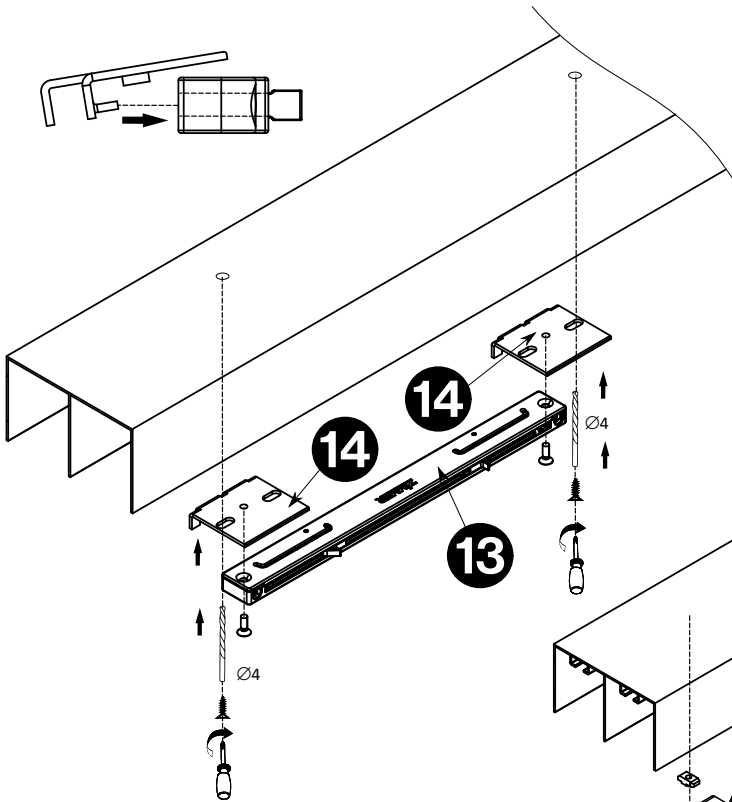
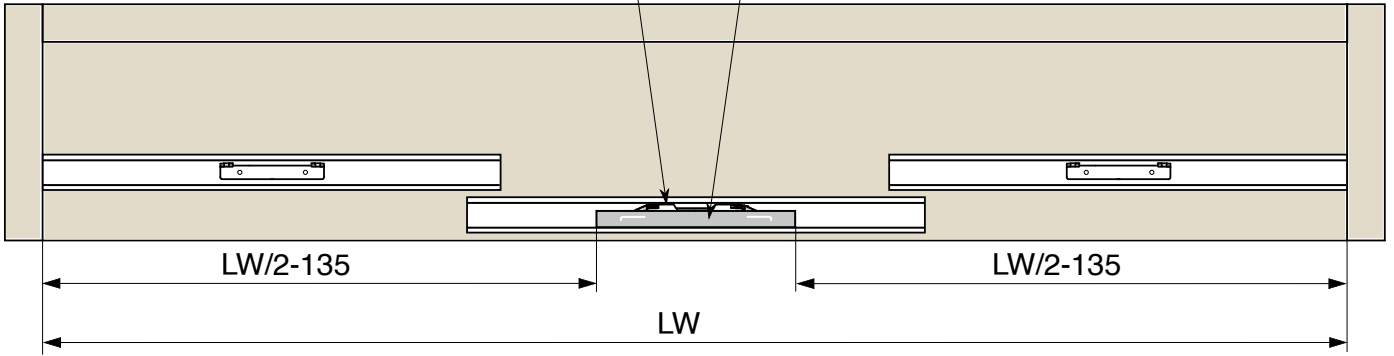
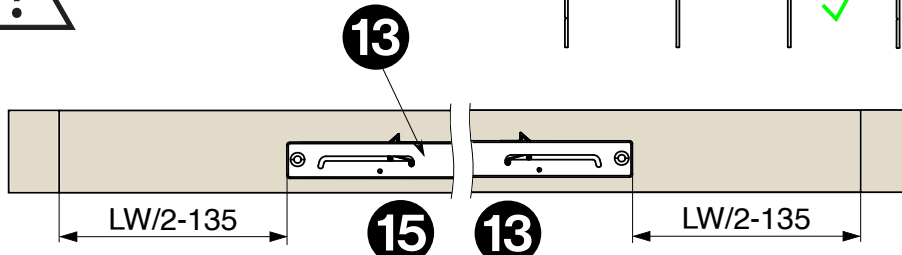
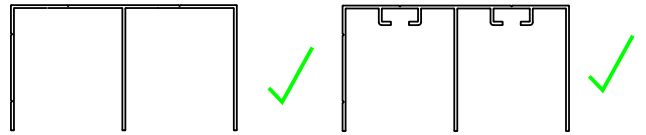
W = min 420



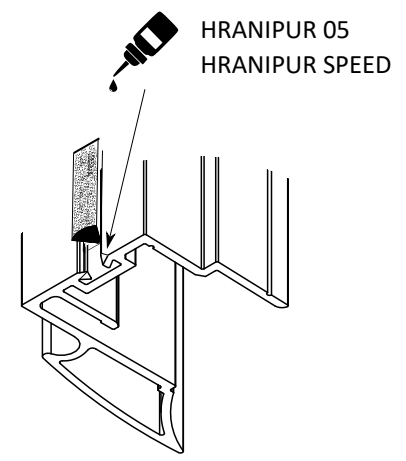
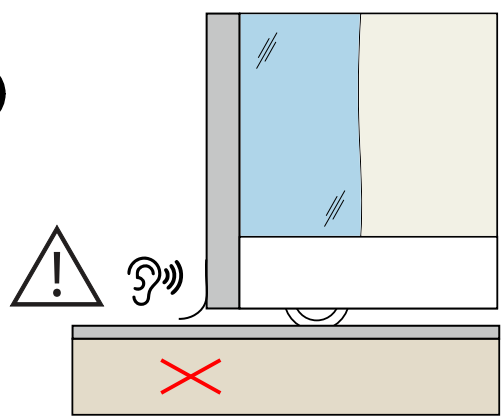
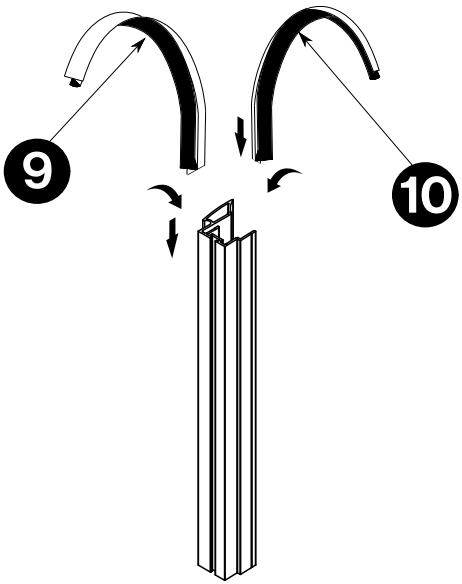
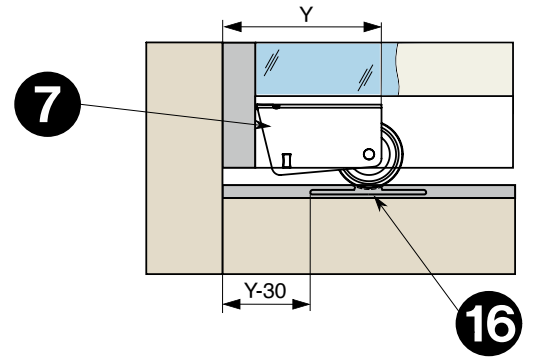
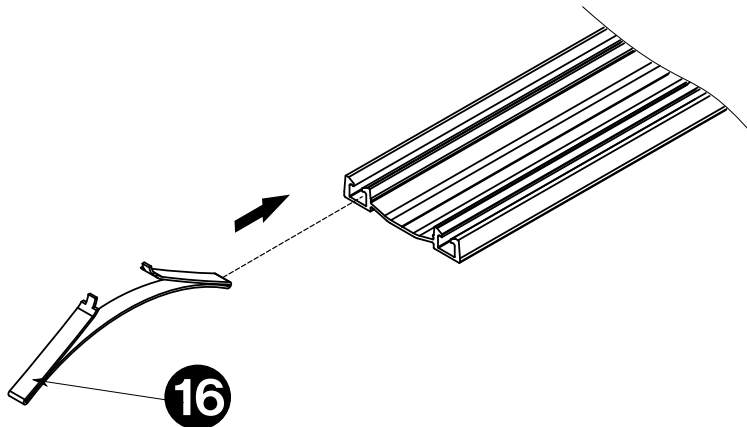
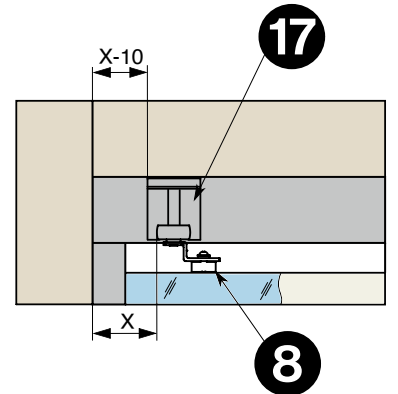
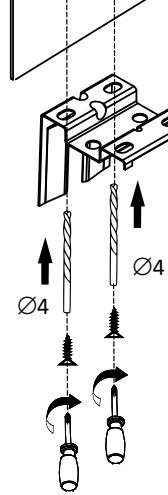
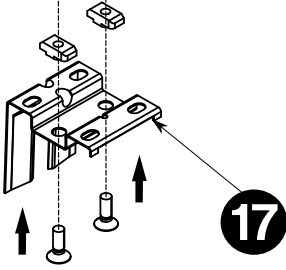
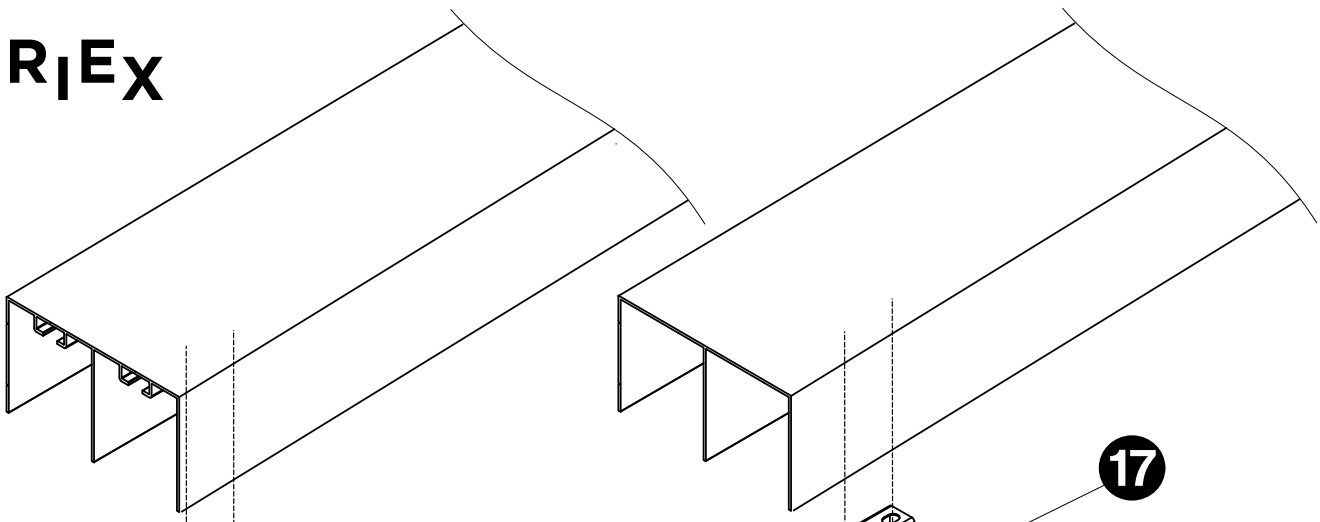
# RIEx



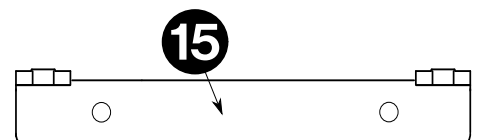
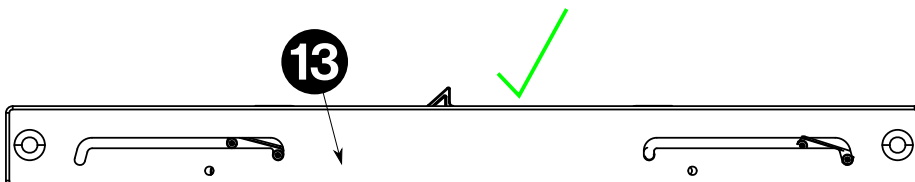
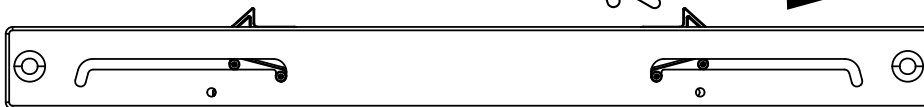
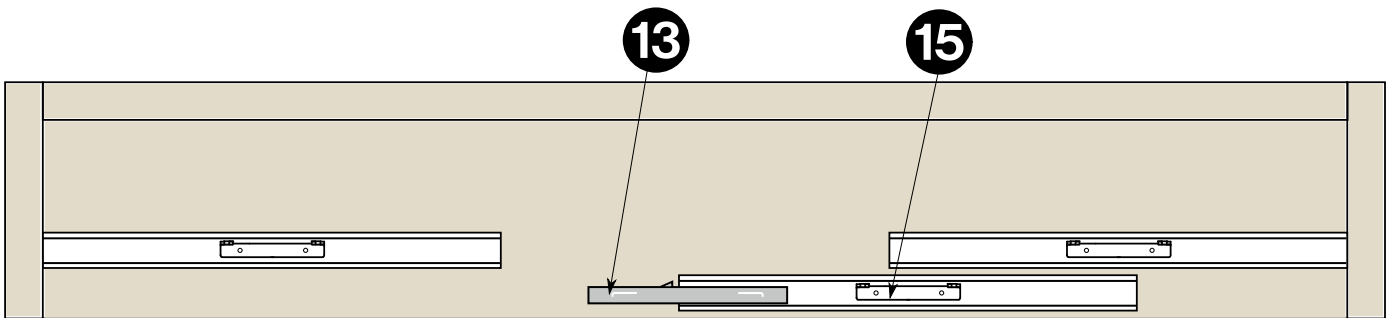
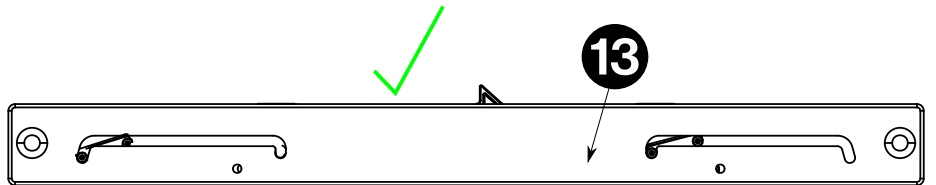
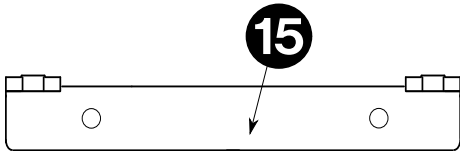
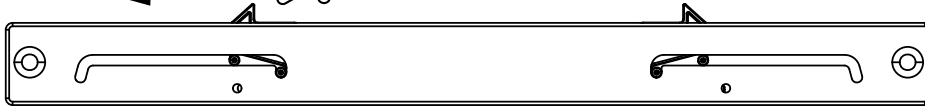
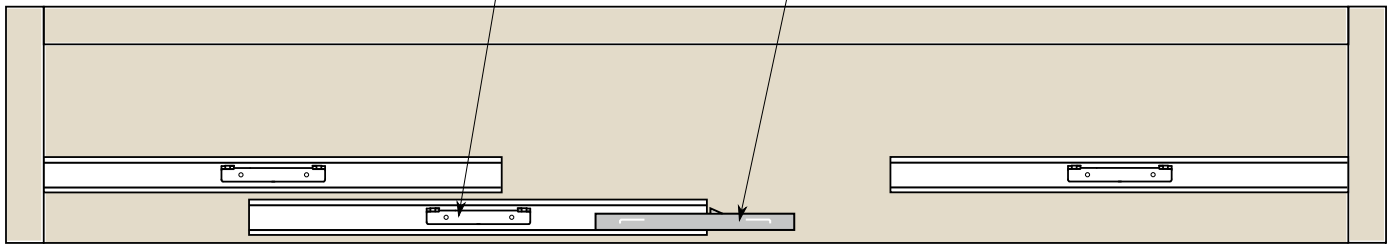
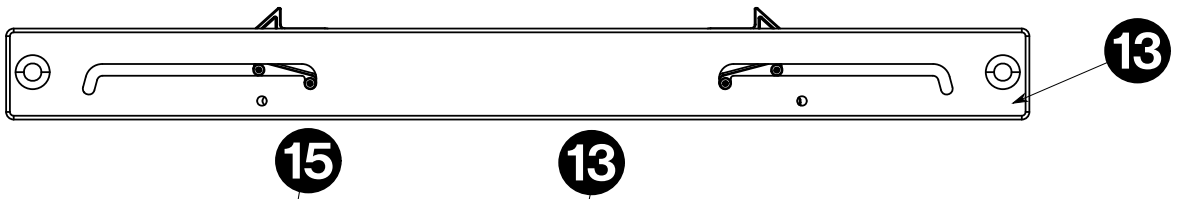
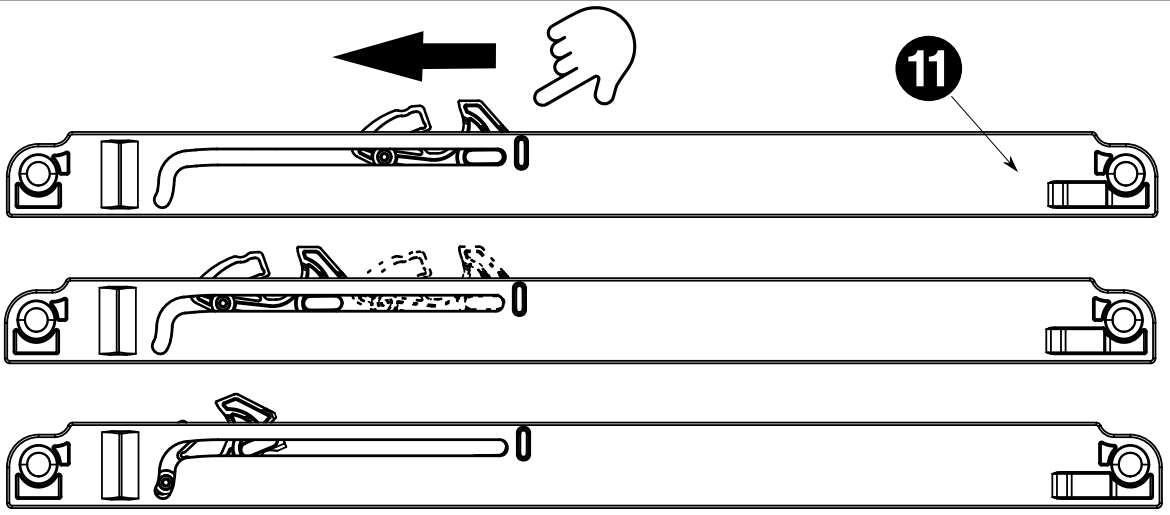
W = min 420



# R<sub>1</sub>Ex

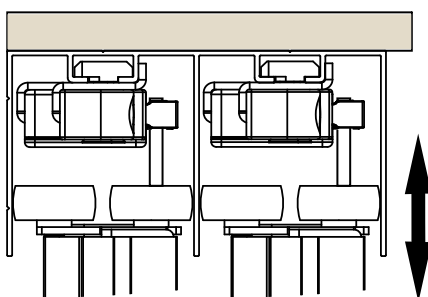
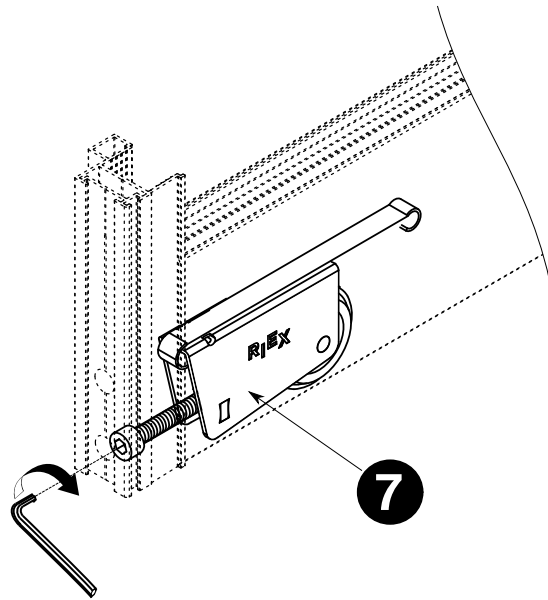
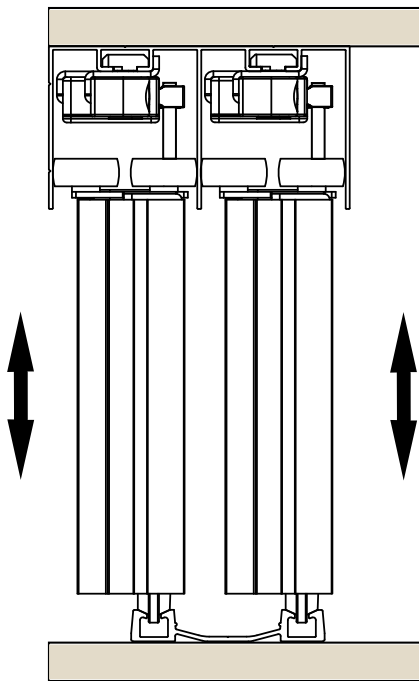
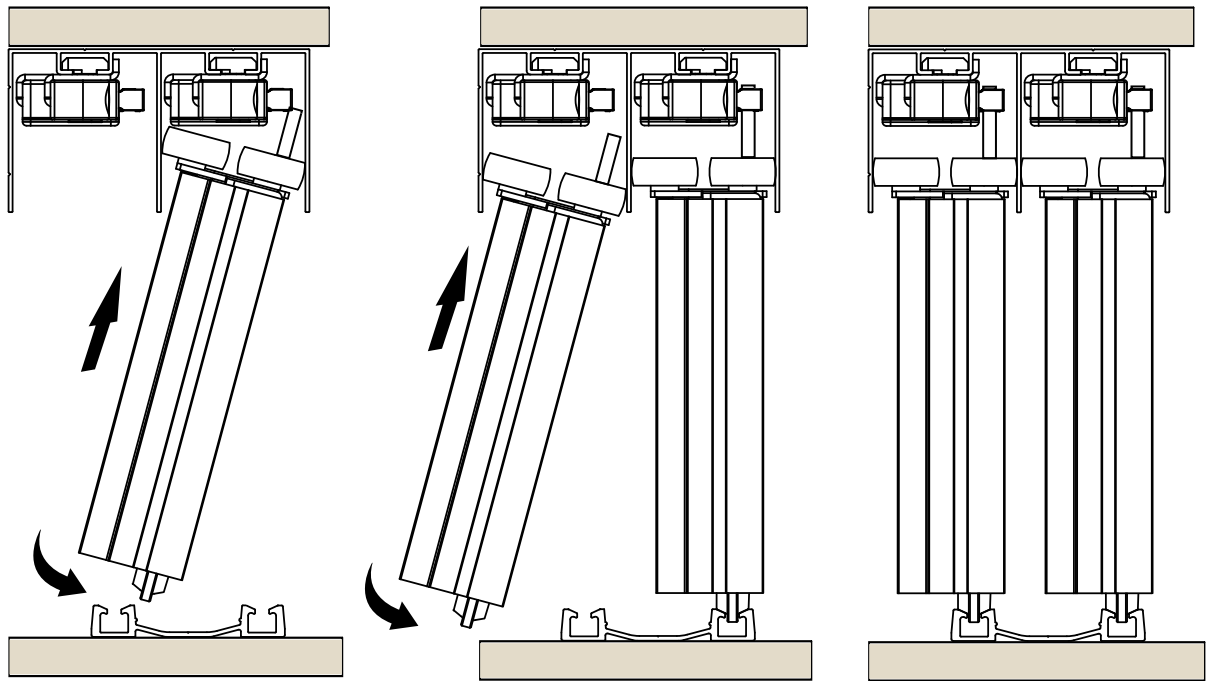


R<sub>I</sub>Ex

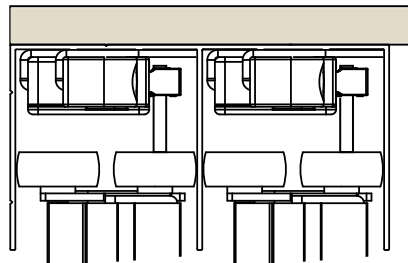




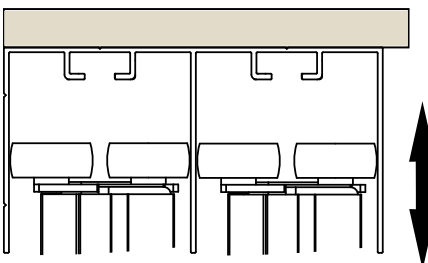
# RIEx



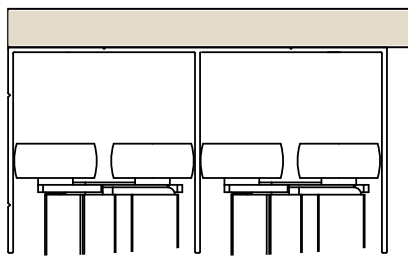
7 mm



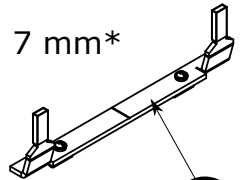
3 mm  
7 mm\*



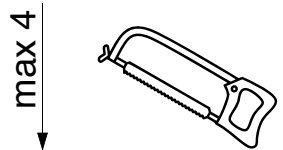
7 mm



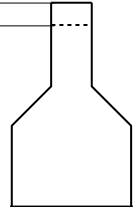
7 mm



15



max 4



14